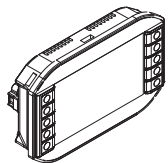
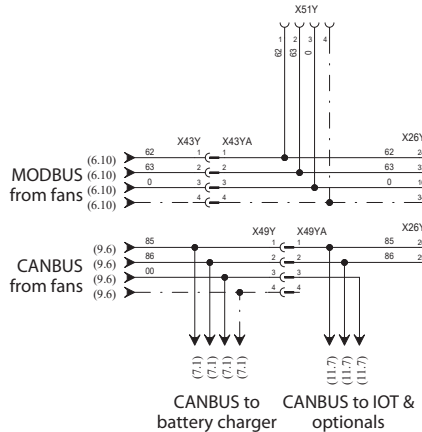


EZESHP20AUAW1B

1 2 3 4 5 6 7 8 9 10



MODBUS port
Use this port to connect with analyser, pc, serial ecc...



1	Ground
2	IN2
3	IN1
4	USB_GND
5	RX_N
6	RX_P
7	TX_N
8	TX_P
9	VBAT

10	IN4
11	IN3
12	
13	USB2_GND
14	VBUS2
15	VBUS1
16	SER_GND
17	V_SW
18	OUT1

19	OUT2
20	CAN2_H
21	CAN1_H
22	USB2H_DM
23	USB1_DM
24	RXD
25	GND24
26	
27	OUT3

28	OUT4
29	CAN2_L
30	CAN1_L
31	USB2H_DP
32	USB1_DP
33	TXD
34	Shield

