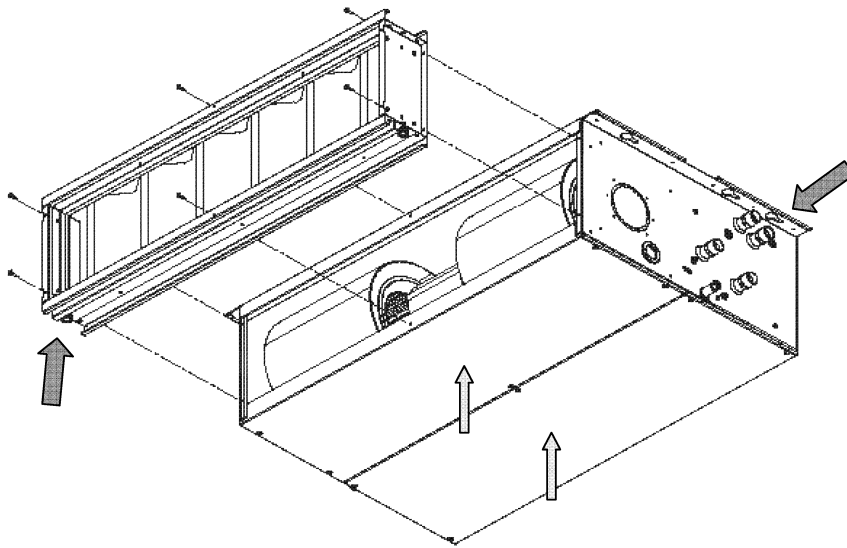


1. Ducted unit with filter only

Consider at least

- 1 500 mm free space on water connections side (piping & connections)
- 2 200 mm free space on the opposite side (to unscrew heat exchangers or fan deck in case of repairing)
- 3 Possibility to extract filter for cleaning has to be considered
- 4 Possibility to reach the unit for ordinary and extraordinary maintenance (for instance removing front panels) has to be considered



2. Ducted unit with filter and electric heater

Consider also

- 1 500 mm free space on water connections side (piping & connections), measured from the electrical box of the heating module (refer to option technical leaflet for details - total 620 mm)
- 2 200 mm free space on the opposite side (to unscrew heat exchangers or fan deck in case of repairing)
- 3 Possibility to extract filter for cleaning has to be considered
- 4 Possibility to reach the unit for ordinary and extraordinary maintenance (for instance removing front panels) has to be considered