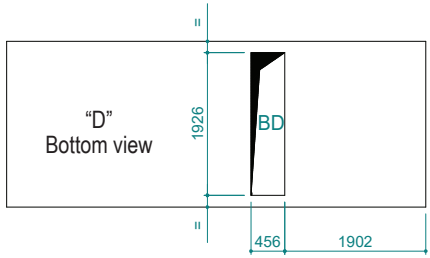
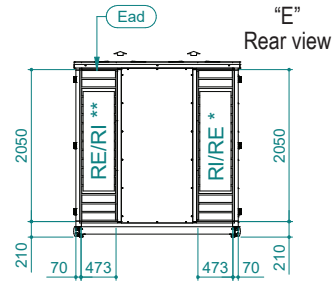
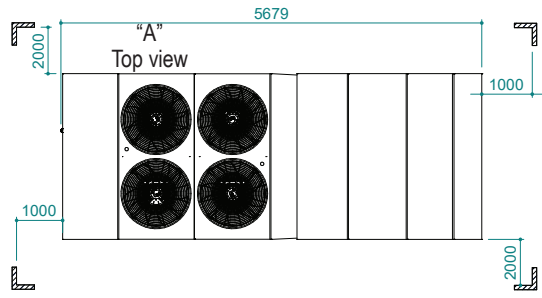
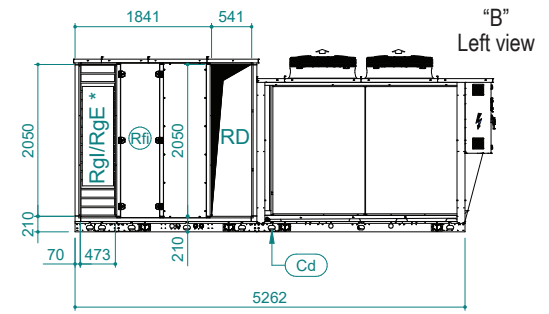
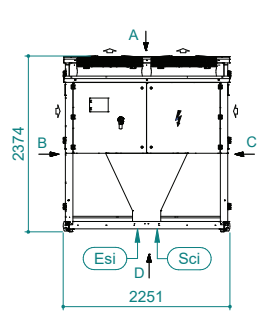
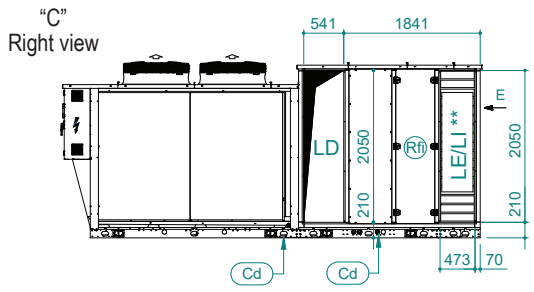


UATYA140-190BFC2Y1



Air direction			
Air direction	Discharge	Intake	External
Left	LD	LI	LE
Right	RD	Rgl	RgE
Bottom	BD	/	/
Rear	/	RI	RE

Sci	Signal cables inlet
Cd	Condensate drain 1" male

Ead	External air damper
Rfi	Remove for inspection

Esi	Electrical supply inlet
	Clearances

* Intake Damper as standard.
It can be changed as external damper changing the cabling in the electrical cabinet.

** External Damper as standard.
It can be changed as internal damper changing the cabling in the electrical cabinet.