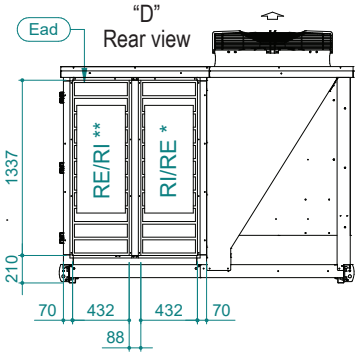
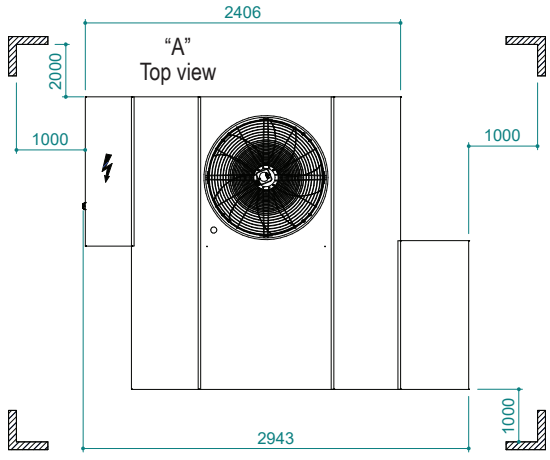
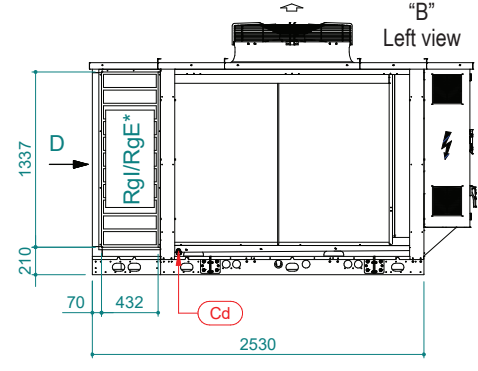
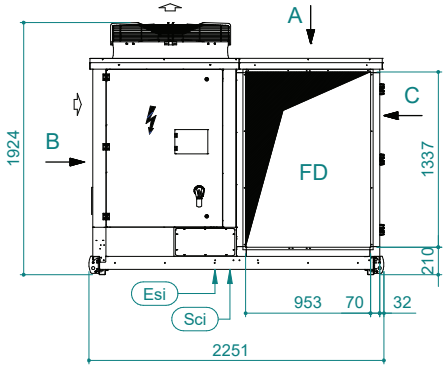
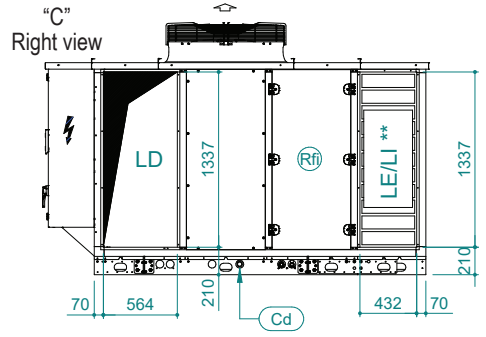


# UATYA20-30BFC2Y1



AIR DIRECTION			
Air direction	Discharge	Intake	External
Left	LD	LI	LE
Right	/	Rgi	Rge
Rear	/	RI	RE
Front	FD	/	/

Sci	Signal cables inlet	Ead	External air damper	Esi	Electrical supply inlet
Cd	Condensate drain 1" male	Rfi	Remove for inspection		Clearances

\* Intake Damper as standard.  
 \*\* External Damper as standard.  
 To switch the dampers on field refers to IUM