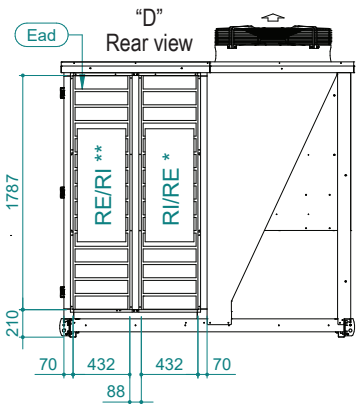
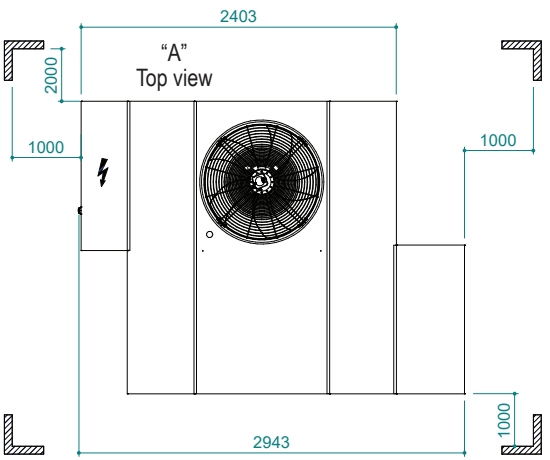
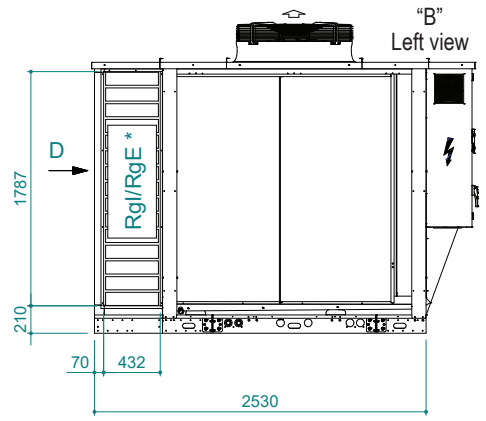
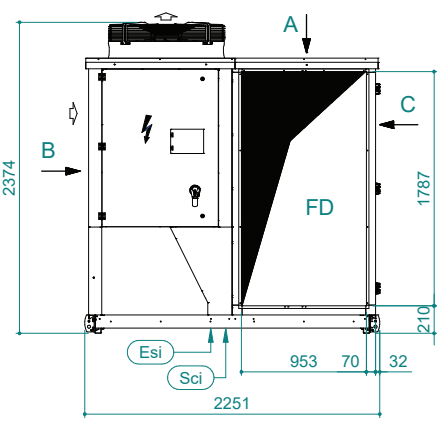
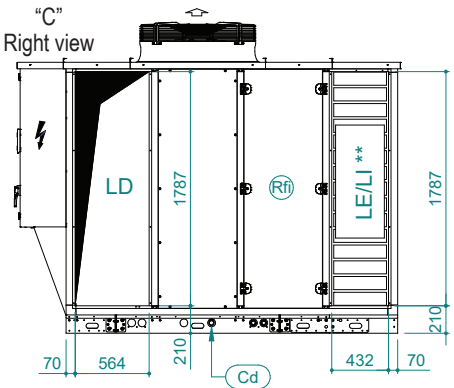


UATYA40-50BFC2Y1



AIR DIRECTION			
Air direction	Discharge	Intake	External
Left	LD	LI	LE
Right	/	RgI	RgE
Rear	/	RI	RE
Front	FD	/	/

Sci	Signal cables inlet	Ead	External air damper	Esi	Electrical supply inlet
Cd	Condensate drain 1" male	Rfi	Remove for inspection		Clearances

* Intake Damper as standard.
It can be changed as external damper changing the cabling in the electrical cabinet.

** External Damper as standard.
It can be changed as internal damper changing the cabling in the electrical cabinet.