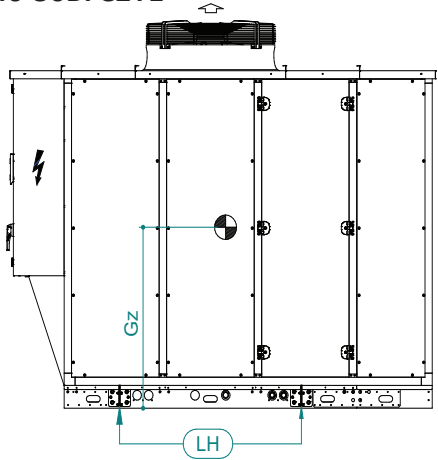


UATYA40-50BFC2Y1



Fh	Fixing holes	Ø22	LH	Lifting point	G..	Vibration damper foot holds
----	--------------	-----	----	---------------	-----	-----------------------------

Model	Weight (kg)						(mm)		
	Shipping	Operating	G1	G2	G3	G4	Gx	Gy	Gz
UATYA40BFC2Y1	1113	1084	270	274	272	268	1060	1037	1037
UATYA50BFC2Y1	1172	1143	265	265	298	307	1035	954	1114

Model	Rubber anti-vibration mounts				Boxes to be ordered *
	G1	G2	G3	G4	
UATYA40BFC2Y1	UATYAAVM1	UATYAAVM1	UATYAAVM1	UATYAAVM1	2 x UATYAAVM1
UATYA50BFC2Y1	UATYAAVM1	UATYAAVM1	UATYAAVM1	UATYAAVM1	2 x UATYAAVM1

* Each box contains 2 mounts

