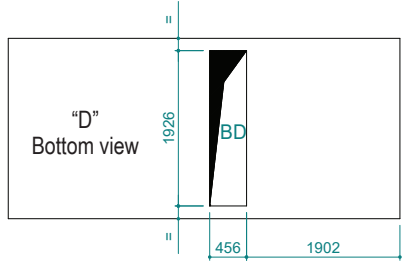
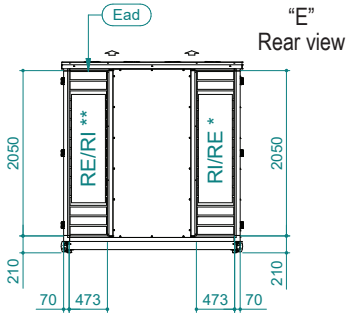
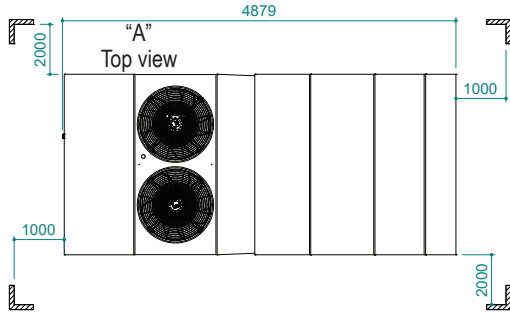
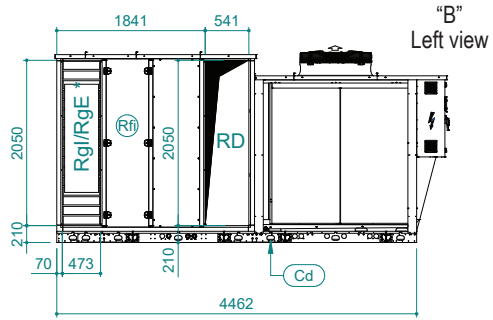
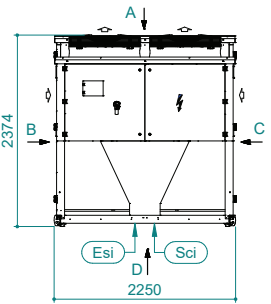
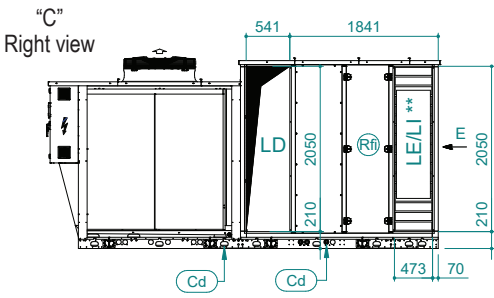


UATYA80-120BFC2Y1



Air direction			
Air direction	Discharge	Intake	External
Left	LD	LI	LE
Right	RD	Rgl	RgE
Bottom	BD	/	/
Rear	/	RI	RE

Sci | Signal cables inlet

Ead | External air damper

Esi | Electrical supply inlet

Cd | Condensate drain 1" male

Rfi | Remove for inspection

 | Clearances

* Intake Damper as standard.
It can be changed as external damper changing the cabling in the electrical cabinet.

** External Damper as standard.
It can be changed as internal damper changing the cabling in the electrical cabinet.