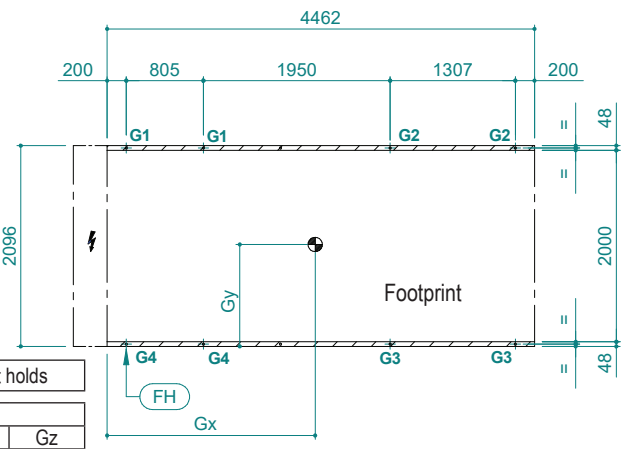
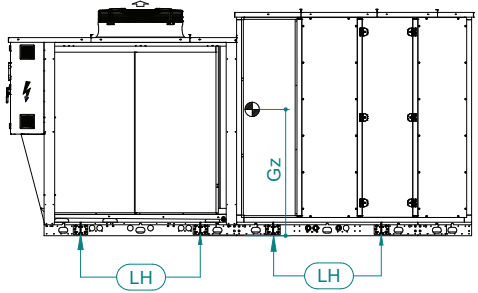


# UATYA80-120BFC2Y1



Fh	Fixing holes	Ø22	LH	Lifting point	G..	Vibration damper foot holds
----	--------------	-----	----	---------------	-----	-----------------------------

Model	Weight (kg)						(mm)		
	Shipping	Operating	G1	G2	G3	G4	Gx	Gy	Gz
UATYA80BFC2Y1	2023	1984	320	202	182	288	2012	1112	1099
UATYA90BFC2Y1	2079	2040	336	209	182	293	1989	1130	1076
UATYA100BFC2Y1	2149	2110	353	215	184	303	1962	1139	1076
UATYA110BFC2Y1	2235	2196	369	232	192	305	1980	1160	1069
UATYA120BFC2Y1	2245	2206	372	232	192	307	1972	1161	1072

Model	Rubber anti-vibration mounts				Boxes to be ordered *
	G1	G2	G3	G4	
UATYA80BFC2Y1	UATYAAVM1	UATYAAVM1	UATYAAVM1	UATYAAVM1	4 x UATYAAVM1
UATYA90BFC2Y1	UATYAAVM1	UATYAAVM1	UATYAAVM1	UATYAAVM1	4 x UATYAAVM1
UATYA100BFC2Y1	UATYAAVM2	UATYAAVM1	UATYAAVM1	UATYAAVM1	3 x UATYAAVM1 + 1 x UATYAAVM2
UATYA110BFC2Y1	UATYAAVM2	UATYAAVM1	UATYAAVM1	UATYAAVM1	3 x UATYAAVM1 + 1 x UATYAAVM2
UATYA120BFC2Y1	UATYAAVM2	UATYAAVM1	UATYAAVM1	UATYAAVM1	3 x UATYAAVM1 + 1 x UATYAAVM2

\* Each box contains 2 mounts