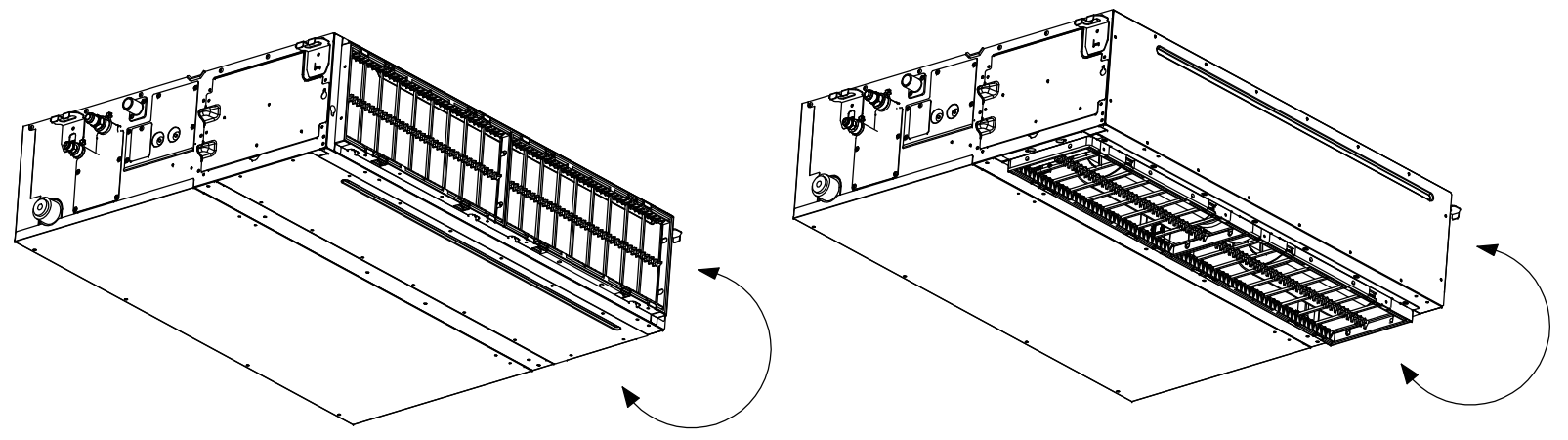
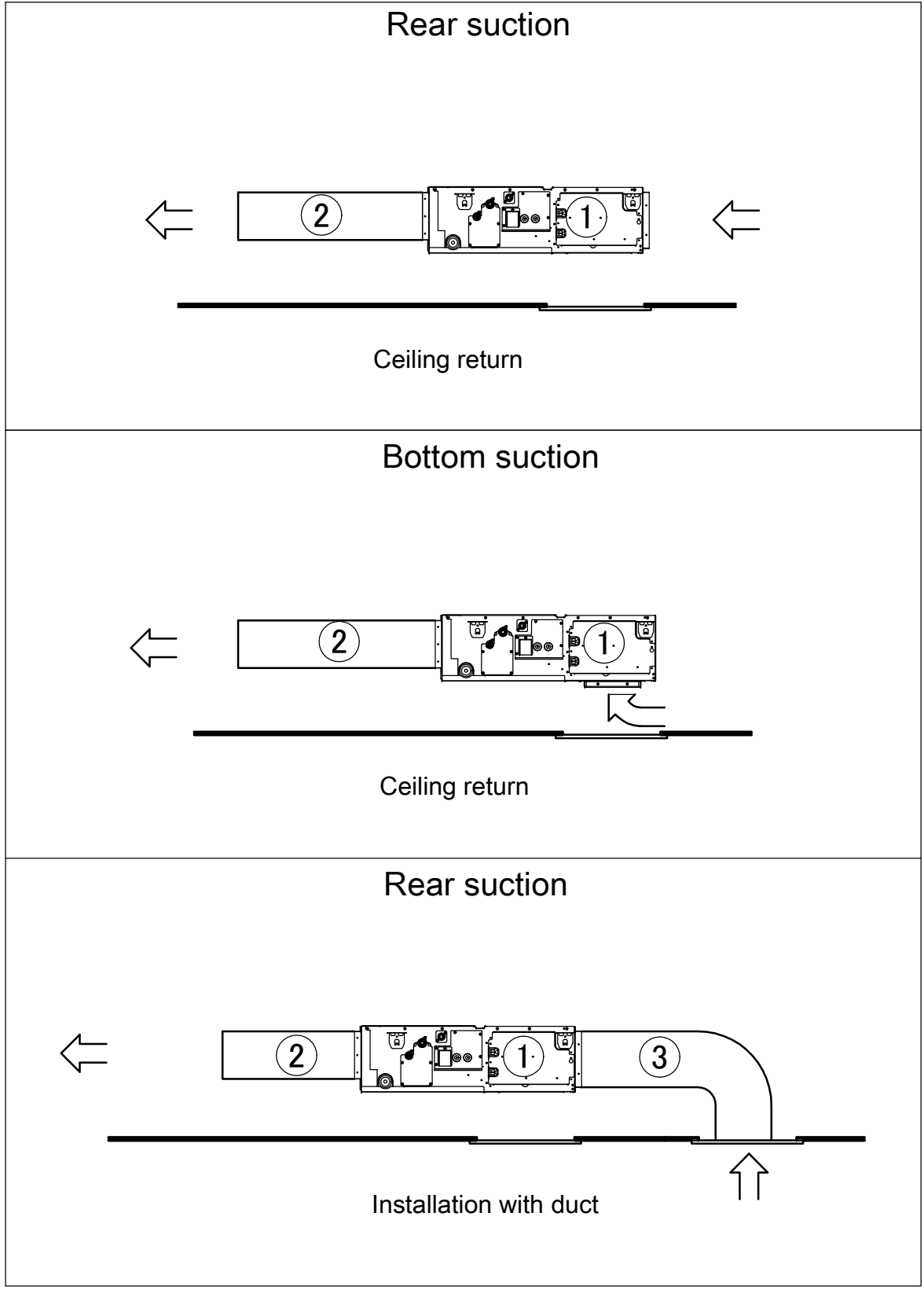
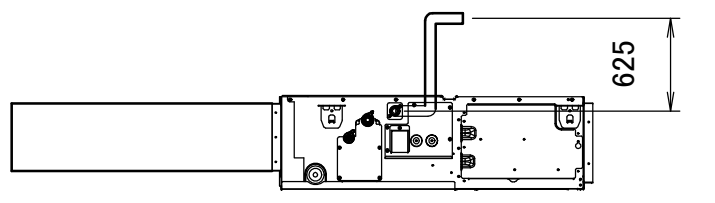


Installation methods



Easy modification from rear suction to bottom suction



Height of drain pump outlet pipe

Number	Description	
①	Indoor unit	
②	Air outlet duct	Field supply
③	Air inlet duct	Field supply