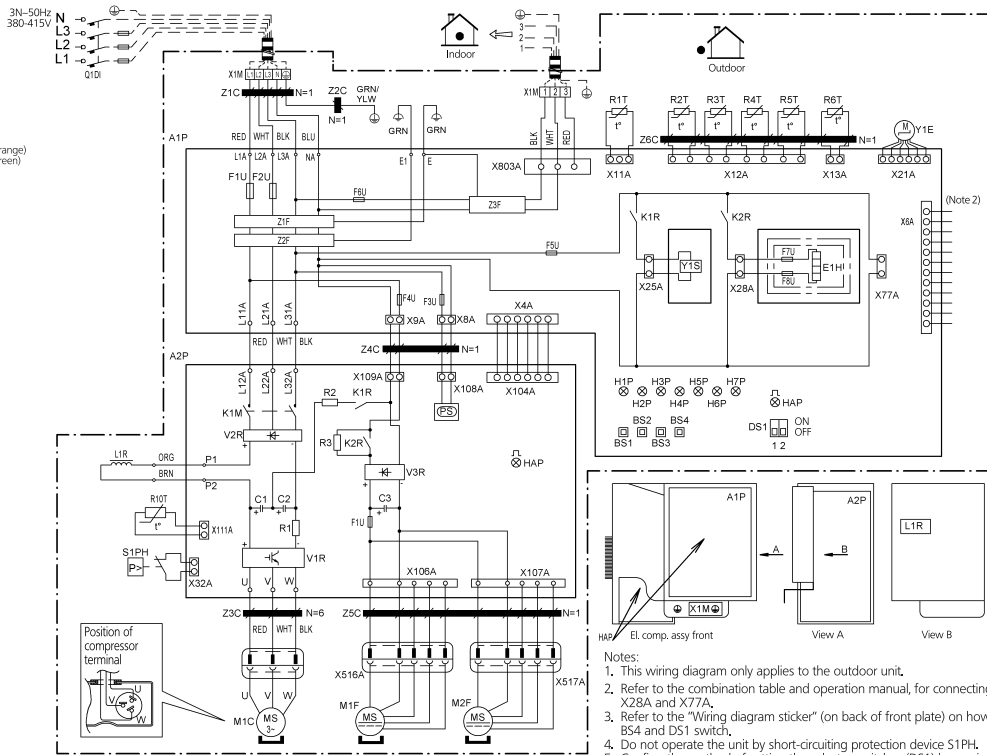


# AZQS140BY1

- A1P : Printed circuit board (Inverter)
- A2P : Printed circuit board (Inverter)
- BS1-BS2 : Push button switch
- C1-C3 : Capacitor
- DS1 : Dip switch
- E1H : Bottomplate heater (Option)
- F1U : Fuse (3.15A / 250V)
- F2U : Fuse (3.15A / 250V)
- F3U-F6U : Fuse (T 6.3A / 250V)
- F7U-F9U : Fuse (F 1.0A / 250V)
- F1U (A2P) : Fuse (F 5.0A / 250V)
- H1P-H7P : Light emitting diode (service monitor orange)
- HAP(A1P,A2P) : Light emitting diode (service monitor green)
- K1M : Magnetic contactor
- K1R (A1P) : Magnetic relay (Y1S)
- K1R (A2P) : Magnetic relay
- K2R (A1P) : Magnetic relay (E1H Option)
- K2R (A2P) : Magnetic relay
- L1R : Reactor
- M1C : Motor (compressor)
- M1F : Motor (fan) (upper)
- M2F : Motor (fan) (lower)
- PS : Switching power supply
- Q1DI : Earth leakage breaker (30mA)
- R1-R3 : Resistor
- R1T : Thermistor (air)
- R2T : Thermistor (discharge)
- R3T : Thermistor (Suction)
- R4T : Thermistor (Heat exchanger)
- R5T : Thermistor (heat exchanger middle)
- R6T : Thermistor (liquid)
- R10T : Thermistor (fin)
- S1PH : Pressure switch (High)
- V1R : IGBT Power module
- V2R-V3R : Diode module
- X6A : Connector (Option)
- X1M : Terminal strip
- Y1E : Electronic expansion valve
- Z1C-Z6C : Solenoid valve (4 way valve)
- Z1F-Z3F : Noise filter (ferite core)
- Z1F-Z3F : Noise filter

- L: Live
- N: Neutral
- : Field wiring
- : Protective earth (screw)
- : Noiseless earth
- : Terminal
- : Connection
- : Terminal strip
- : Connector
- : Relay connector
- : Option

- BLK: Black
- BLU: Blue
- BRN: Brown
- GRN: Green
- ORG: Orange
- RED: Red
- WHT: White
- YLW: Yellow



- Notes:
1. This wiring diagram only applies to the outdoor unit.
  2. Refer to the combination table and operation manual, for connecting wiring X6A, X28A and X77A.
  3. Refer to the "Wiring diagram sticker" (on back of front plate) on how to use BS1-BS4 and DS1 switch.
  4. Do not operate the unit by short-circuiting protection device S1PH.
  5. Confirm the method of setting the selector switches (DS1) by service manual. Factory setting of all switches: "OFF".