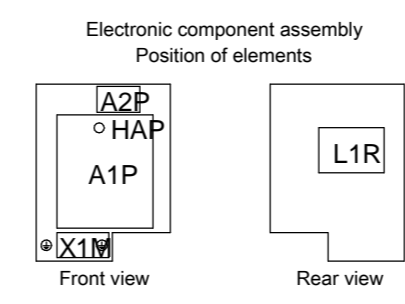


A1P	Printed circuit board (main)
A2P	Printed circuit board
BS1 ~ BS4	Push-button switch
C1 ~ C3	Capacitor
DS1	DIP switch
E1H	Bottom plate heater (option)
F1U ~ F2U	Fuse
F6U	Fuse (T 3.15A / 250V)
F7U ~ F8U	Fuse (F 1.0A / 250V)
H1P ~ H7P	Light-emitting diode (service monitor is orange)
HAP	Light-emitting diode (service monitor is green)
K1R	Magnetic relay (Y1S)
K2R, K10R	Magnetic relay
K11M	Magnetic contactor
K13R ~ K15R	Magnetic relay
L1R	Reactor
M1C	Motor (compressor)
M1F	Motor (fan)
PS	Switching power supply
Q1DI	Earth leakage circuit breaker (30mA)
R2, R5, R6	Resistor
R1T	Thermistor (air)
R2T	Thermistor (discharge)
R3T	Thermistor (suction)
R4T	Thermistor (heat exchanger)
R5T	Thermistor (heat exchanger middle)
R6T	Thermistor (liquid)
R7T ~ R8T	See note 8.
RC	Signal receiver circuit
S1PH	High pressure switch
S1PL	Low pressure switch
TC	Signal transmission circuit
V1D ~ V3D	Diode
V1R	IGBT power module
V2R	Diode module
V1T ~ V2T	Insulated Gate Bipolar Transistor (IGBT)
X1M	Terminal strip
Y1E	Electronic expansion valve
Y1S	Solenoid valve (4-way valve)
Z1C ~ Z6C	Noise filter (ferrite core)
Z1F ~ Z3F	Noise filter

- Notes**
- 1. L: Live
  - Field wiring
  - Terminal strip
  - Protective earth
  - Connector
  - Noiseless earth
  - N: Neutral
  - Terminal
  - Option
  - Connection
2. Colours: blk:black; red:red; blu:blue; wht:white; grn:green; ylw:yellow; brn:brown; org:orange; pnk:pink
3. This wiring diagram applies only to the outdoor unit.
4. Refer to the wiring diagram sticker (on the back of the front plate) for how to use the BS1 - BS4 and DS1 switches.
5. When operating, do not short-circuit protection device(s) S1PH, S1PL.
6. Refer to the service manual for instructions on how to set the selector switches (DS1). The factory setting of all switches is OFF.
7. Refer to the combination table and the option manual for how to connect the wiring to \_\_\_\_\_ and \_\_\_\_\_.
8. Thermistor (Positive Temperature Coefficient)



2D089497B