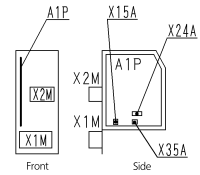
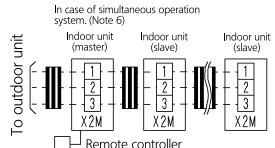
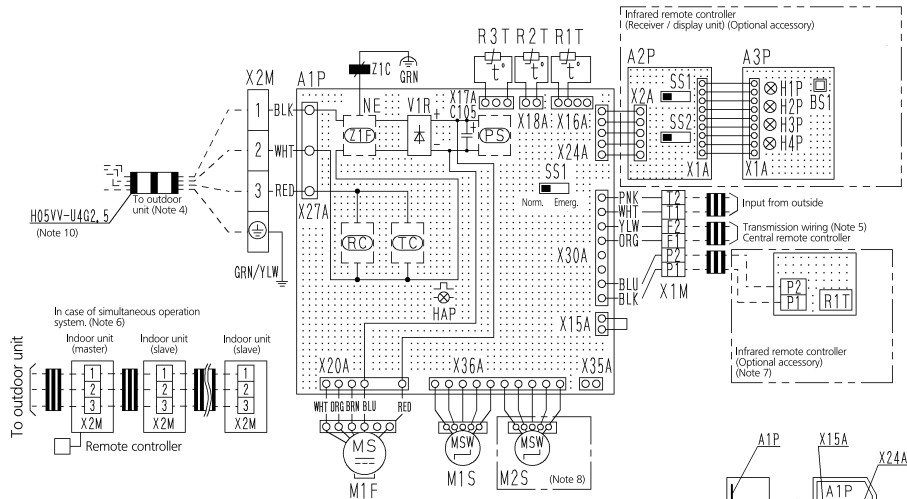


FAQ-C9

Indoor unit	
A1P	Printed circuit board
C105	Capacitor
HAP	Flashing lamp (service monitor-green)
M1F	Motor (indoor fan)
M1S	Motor (swing flap)
M2S	Motor (swing flap)
R1T	Thermistor (air)
R2T-R3T	Thermistor (coil)
SS1	Selector switch (emergency)
V1R	Diode bridge
X1M	Terminal block (Remote controller)
X2M	Terminal block (Transmission wiring)
Z1C	Ferrite core (Noise filter)
Z1P	Noise filter
PS	Switching power supply
RC	Signal receiver circuit
TC	Signal transmission circuit
Infrared remote controller (Receiver/display unit)	
A2P	Printed circuit board
A3P	Printed circuit board
BS1	Push button switch (On/Off)
H1P	Pilot lamp (ON-Red)
H2P	Pilot lamp (Timer-Green)
H3P	Pilot lamp (Filter sign-Red)
H4P	Pilot lamp (Defrost-Orange)
SS1	Selector switch (main/sub)
SS2	Selector switch (wireless address set)
Wired remote controller	
R1T	Thermistor (air)
Connector for optional parts	
X15A	Connector (float switch)
X24A	Connector (Infrared remote controller)
X35A	Connector (Power supply for adaptor)



Notes

- Terminal block: ; Connector: ; Short circuit connector:
- Field wiring:
- In case of simultaneous operation indoor unit system, See the indoor unit wiring only.
- For the detail, see wiring diagram attached to outdoor unit.
- In case using central remote controller, connect it to the unit in accordance with the attached installation manual.
- In case of connection units varies according to the combination system, confirm engineering guide and catalogs, etc. before connecting.
- In case of main/sub changeover, see the installation manual attached to remote controller.
- M2S is 100 only.
- Symbols shows as follows: BLK:Black RED:Red BLU:Blue WHT:White Pnk:Pink YLW:Yellow GRY:Gray GRN:Green ORG:Orange BRN:Brown
- Shows only in case of protected pipes, use HO7RN-F in case of no protection.