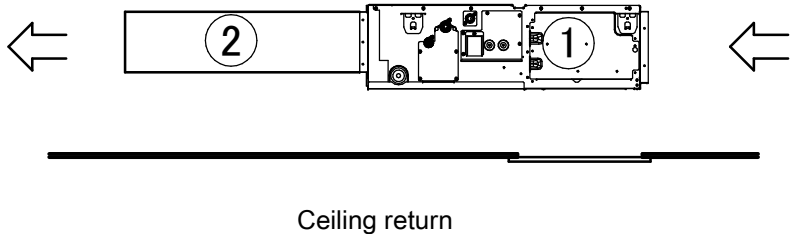


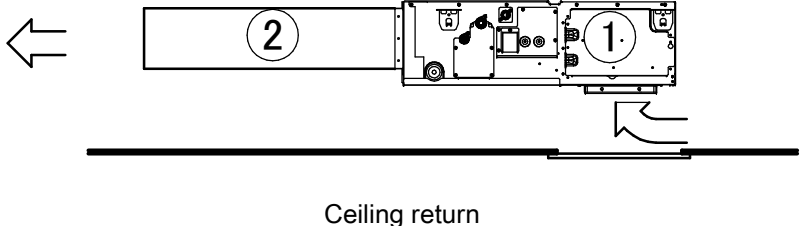
FBA-A

Installation methods

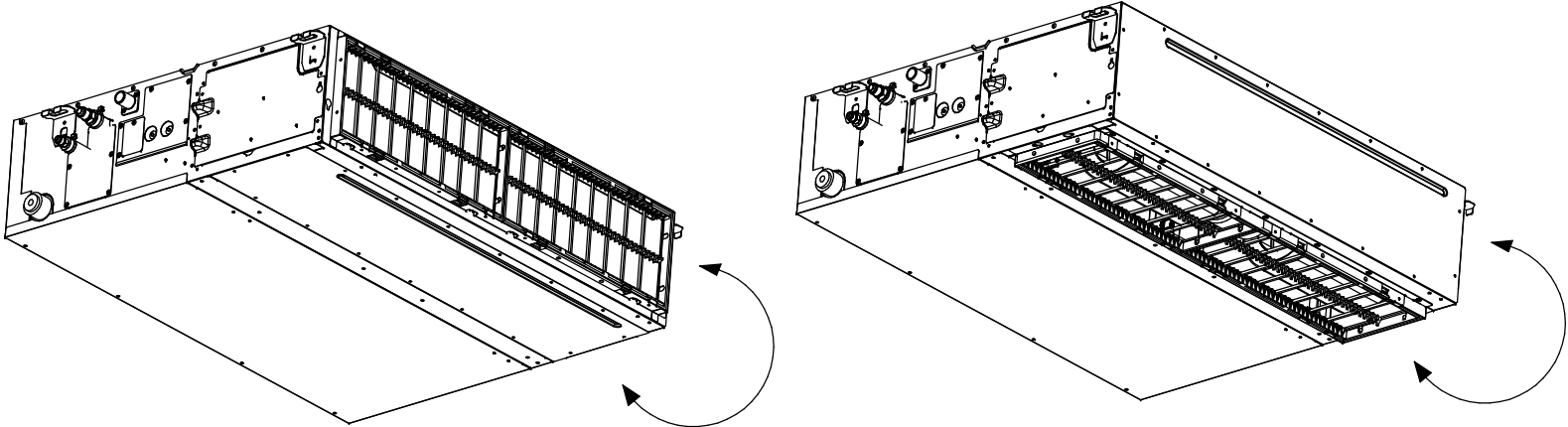
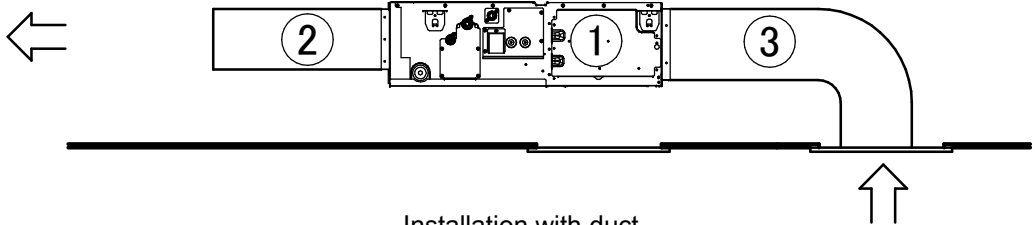
Rear suction



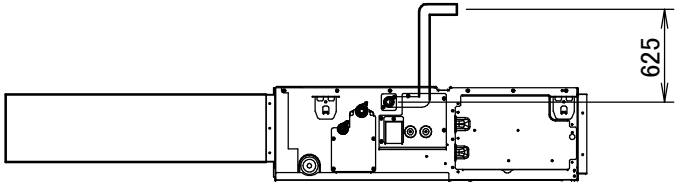
Bottom suction



Rear suction



Easy modification from rear suction to bottom suction



Height of drain pump outlet pipe

Number	Description	
①	Indoor unit	
②	Air outlet duct	Field supply
③	Air inlet duct	Field supply

3D094912A