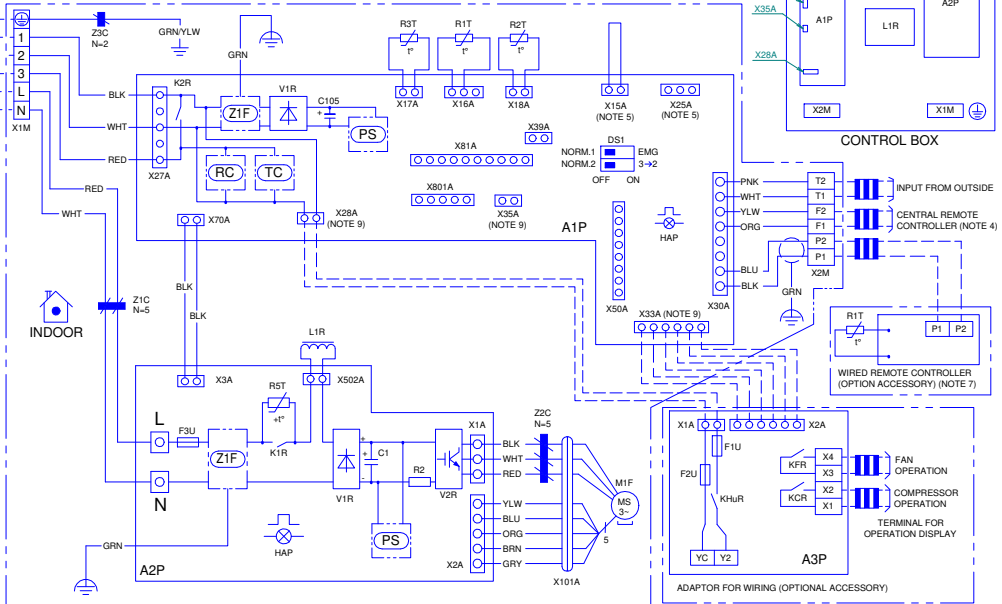
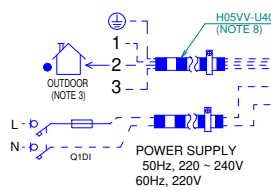


# WIRING DIAGRAM



INDOOR UNIT	
A1P	PRINTED CIRCUIT BOARD (CONTROL)
A2P	PRINTED CIRCUIT BOARD (FAN)
C1	CAPACITOR
C105	CAPACITOR
DS1	DIP SWITCH ON PCB
F3U	FUSE (T, 20A, 250V)
HAP	LIGHT EMITTING DIODE (SERVICE MONITOR GREEN)
K1R, K2R	MAGNETIC RELAY
L1R	REACTOR
M1F	MOTOR (FAN)
PS	SWITCHING POWER SUPPLY (A1P, A2P)
R1T	THERMISTOR (SUCTION)
R2T	THERMISTOR (LIQUID)
R3T	THERMISTOR (COIL)
RST	PTC THERMISTOR (CURRENT LIMITED)
RC	RECEIVING CIRCUIT
TC	TRANSMITTING CIRCUIT
V1R	DIODE BRIDGE
V2R	POWER MODULE
X1-801A CONNECTOR	
X1M	TERMINAL STRIP (POWER SUPPLY)
X2M	TERMINAL STRIP (CONTROL)
Z1C	NOISE FILTER (FERRITE CORE)
Z2C	NOISE FILTER (FERRITE CORE)
Z3C	NOISE FILTER (FERRITE CORE)
ZFC	NOISE FILTER (SURGE ABSORBER)
ZIF	NOISE FILTER (SURGE ABSORBER)
CONNECTORS FOR OPTIONAL PARTS	
X25A	CONNECTOR (DRAIN PUMP)
X15A	CONNECTOR (FLOAT SWITCH)
X16A	CONNECTOR (EXTERNAL WIRED TEMPERATURE SENSOR)
X28A	CONNECTOR (POWER SUPPLY OF WIRING)
X33A	CONNECTOR (ADAPTOR FOR WIRING)
X35A	POWER SUPPLY (ADAPTOR)
ADAPTOR FOR WIRING	
A3P	ADAPTOR PCB
F1U, F2U	FUSE (5A, 250V)
KHuR	MAGNETIC RELAY
KCR, KFR	MAGNETIC RELAY
X1-2A	CONNECTOR
WIRED REMOTE CONTROLLER	
R1T	THERMISTOR (AIR)

**NOTES**

- :TERMINAL BLOCK   
 :CONNECTOR   
 :FIELD WIRING  
 :SHORT CIRCUIT CONNECTOR
- IN CASE OF SIMULTANEOUS OPERATION INDOOR UNIT SYSTEM, SEE THE INDOOR UNIT WIRING ONLY.
- FOR THE DETAIL, SEE WIRING DIAGRAM ATTACHED TO OUTDOOR UNIT.
- IN CASE USING CENTRAL REMOTE CONTROLLER, CONNECT IT TO THE UNIT IN ACCORDANCE WITH THE ATTACHED INSTALLATION MANUAL.
- X15A, X25A ARE CONNECTED WHEN THE DRAIN PUMP KIT IS BEING USED. BEFORE INSTALLING OF DRAIN PUMP KIT REMOVE SHORT CIRCUIT CONNECTOR CONNECTED TO X15A.
- IN CASE OF SIMULTANEOUS OPERATION SYSTEM, CONNECTED QUANTITY OF THE INDOOR UNITS VARIES ACCORDING TO THE CONNECTION OUTDOOR UNIT. CONFIRM TECHNICAL GUIDE AND CATALOGUE, ETC. BEFORE CONNECTING.
- IN CASE OF MAIN/SUB CHANGEOVER SEE THE INSTALLATION MANUAL ATTACHED TO REMOTE CONTROLLER.
- SHOWS ONLY IN CASE OF PROTECTION PIPING, USE H07RN-F IN CASE OF NO PROTECTION.
- X15A, X16A, X25A, X28A, X33A, X35A ARE CONNECTED WHEN THE OPTIONAL ACCESSORIES ARE BEING USED.

**WIRE COLORS**

- BLK: BLACK    RED: RED    BLU: BLUE
- WHT: WHITE    YLW: YELLOW    GRN: GREEN
- BRN: BROWN    PNK: PINK    ORG: ORANGE
- GRY: GRAY

**IN CASE OF SIMULTANEOUS OPERATION SYSTEM (NOTE 6)**

