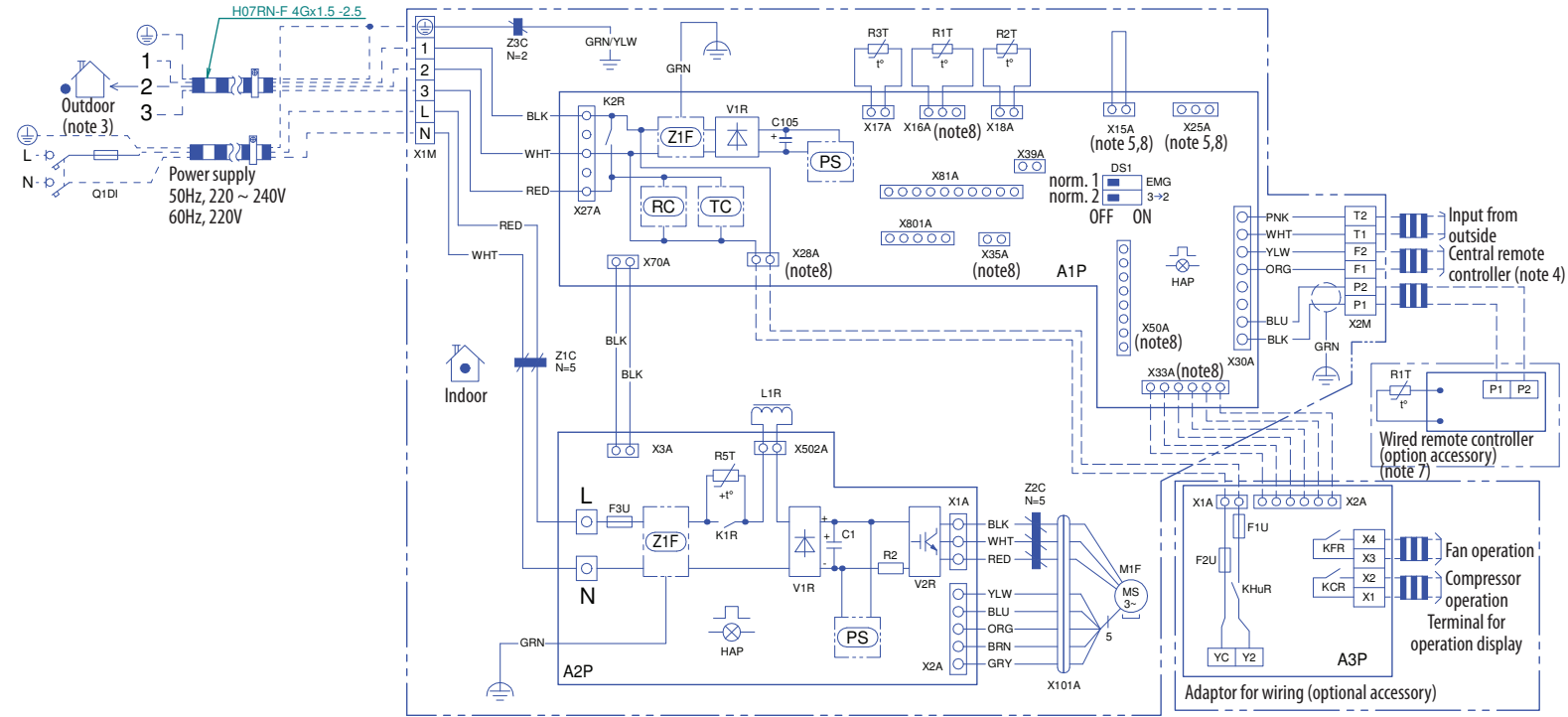


Wiring diagram

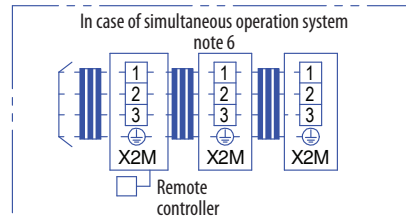
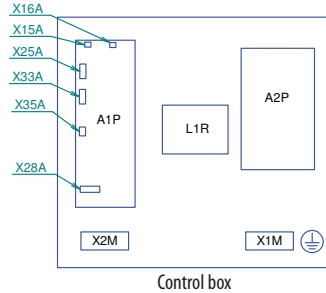


NOTES

- : terminal block, □□□□: connector, ---□---: field wiring, □□□□: short circuit connector
- In case of simultaneous operation indoor unit system, see the indoor unit wiring only.
- For the detail, see wiring diagram attached to outdoor unit.
- In case using central remote controller, connect it to the unit in accordance with the attached installation manual.
- X15A, X25A ARE connected when the drain pump kit is being used. Before installing of drain pump kit remove short circuit connector connected to X15A.
- In case of simultaneous operation system, connected quantity of the indoor units varies according to the connection outdoor unit. Confirm technical guide and catalogue, etc. Before connecting.
- In case of main/sub changeover see the installation manual attached to remote controller
- X15A, X16A, X25A, X28A, X33A, X35A, X50A are (re)connected when the optional accessories are being used.

Wire colors

- | | |
|-------------|--------------|
| BLK : Black | YLW : Yellow |
| WHT : White | PNK : Pink |
| BRN : Brown | BLU : Blue |
| GRY : Grey | GRN : Green |
| RED : Red | ORG : Orange |



Indoor unit		Outdoor unit	
A1P	Printed circuit board (control)	X1M	Terminal strip (power supply)
A2P	Printed circuit board (fan)	X2M	Terminal strip (control)
C1	Capacitor	Z1C	Noise filter (ferrite core)
C105	Capacitor	Z2C	Noise filter (ferrite core)
DS1	Dip switch on PCB	Z3C	Noise filter (ferrite core)
F3U	Fuse (T, 20A, 250V)	Z1F	Noise filter (surge absorber)
HAP	Light emitting diode (Service monitor green)	Connectors for optional parts	
K1R, K2R	Magnetic relay	X25A	Connector (drain pump)
L1R	Reactor	X15A	Connector (float switch)
M1F	Motor (fan)	X16A	Connector (external wired temperature sensor)
PS	Switching power supply (A1P, A2P)	X28A	Connector (power supply of wiring)
Q1DI	Earth leakage breaker	X33A	Connector (adaptor for wiring)
R1T	Thermistor (suction)	X35A	Power supply (adaptor)
R2T	Thermistor (liquid)	X50A	Connector (wlan adaptor)
R3T	Thermistor (coil)	Adaptor for wiring	
R5T	PTC thermistor (current limited)	A3P	Adaptor PCB
RC	Receiving circuit	F1U, F2U	Fuse (5A, 250V)
TC	Transmitting circuit	KHuR	Magnetic relay
V1R	Diode bridge	KCR, KFR	Magnetic relay
V2R	Power module	X1~2A	Connector
X1~801A	Connector	Wired remote controller	
		R1T	Thermistor (air)