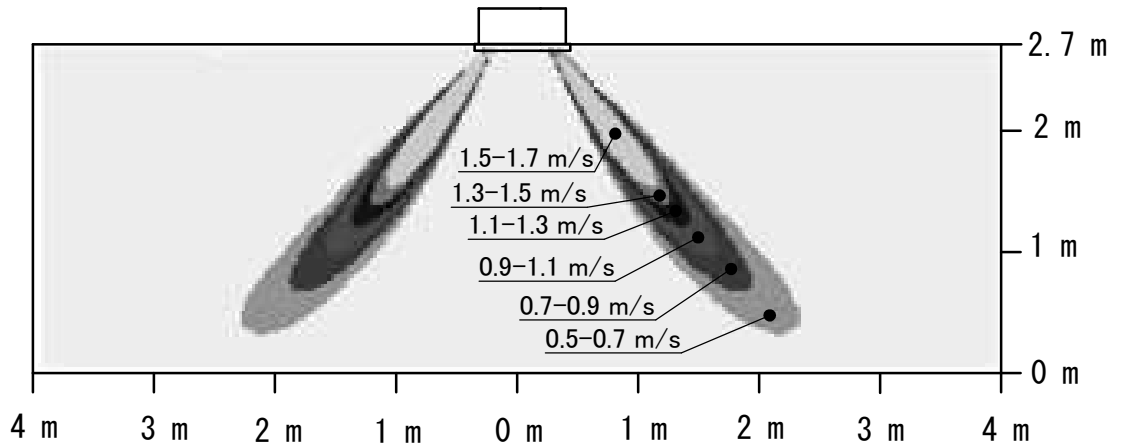


Air velocity distribution (heating)

Air flow direction: horizontal

Air discharge: all-round



Air temperature distribution (heating)

Air flow direction: horizontal

Air discharge: all-round

