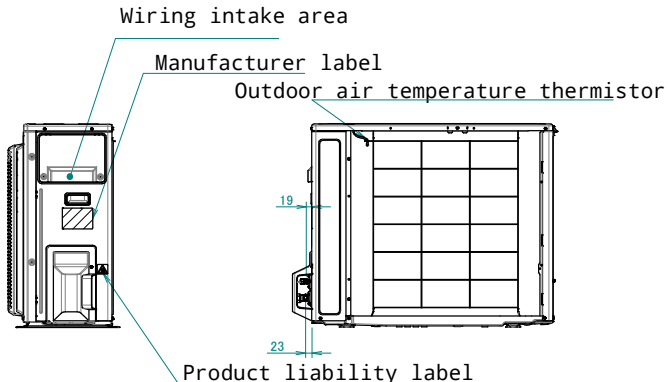
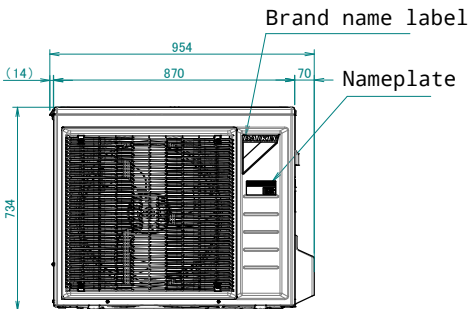
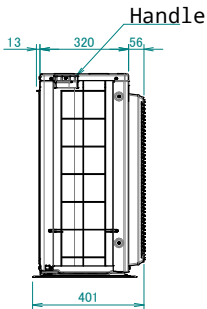
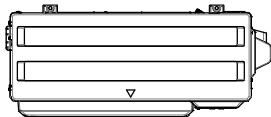
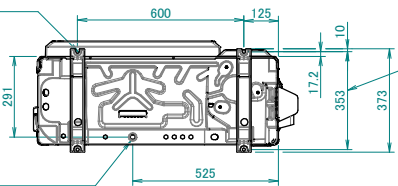


RXM42R



4 holes for anchor bolts

·M8· or ·M10·



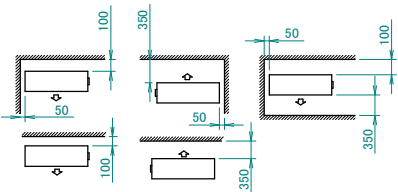
Pitch of foundation bolt holes

Drain outlet

Connection hose (inside diameter: ·15.9·mm)

Minimum space for air passage

Wall height on air outlet side < 1200 mm



In case of removing the stop valve cover.

