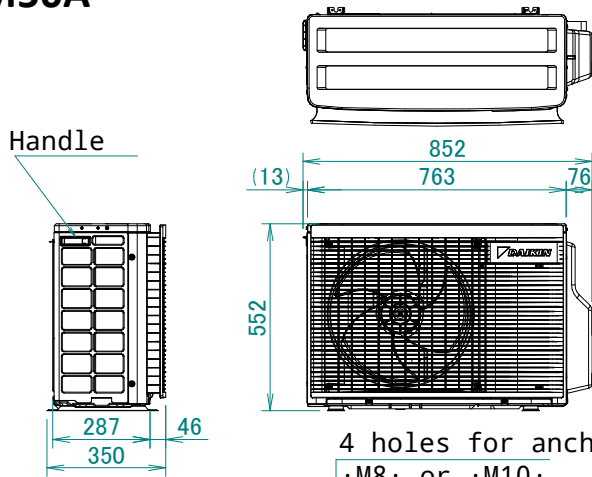


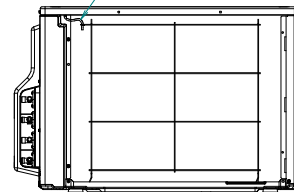
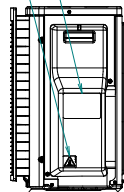
# 2MXM50A



Product liability label

Manufacturer label

Outdoor air temperature thermistor

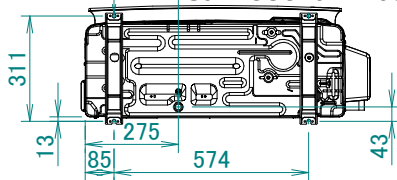


4 holes for anchor bolts

·M8· or ·M10·

Drain outlet

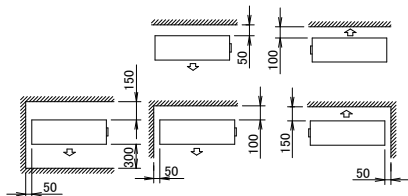
Connection hose (inside diameter: ·15.9·mm)



In case of removing the stop valve cover.

Minimum space for air passage

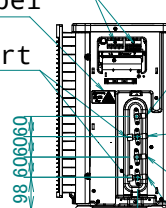
Wall height on air outlet side < 1200 mm



Terminal strip with earth terminal

Caution label

Service port



Room ·A·  
Liquid stop valve

·ø6.4· CuT

Room ·A·  
Gas stop valve

·ø9.5· CuT

Room ·B·  
Liquid stop valve

·ø6.4· CuT

Room ·B·  
Gas stop valve

·ø12.7· CuT

**3D139715**