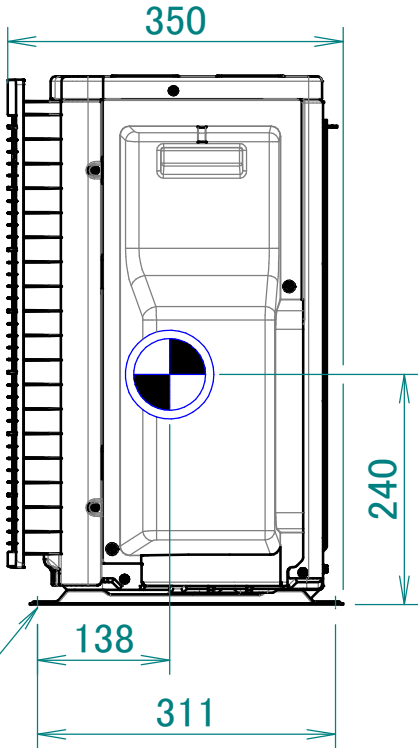
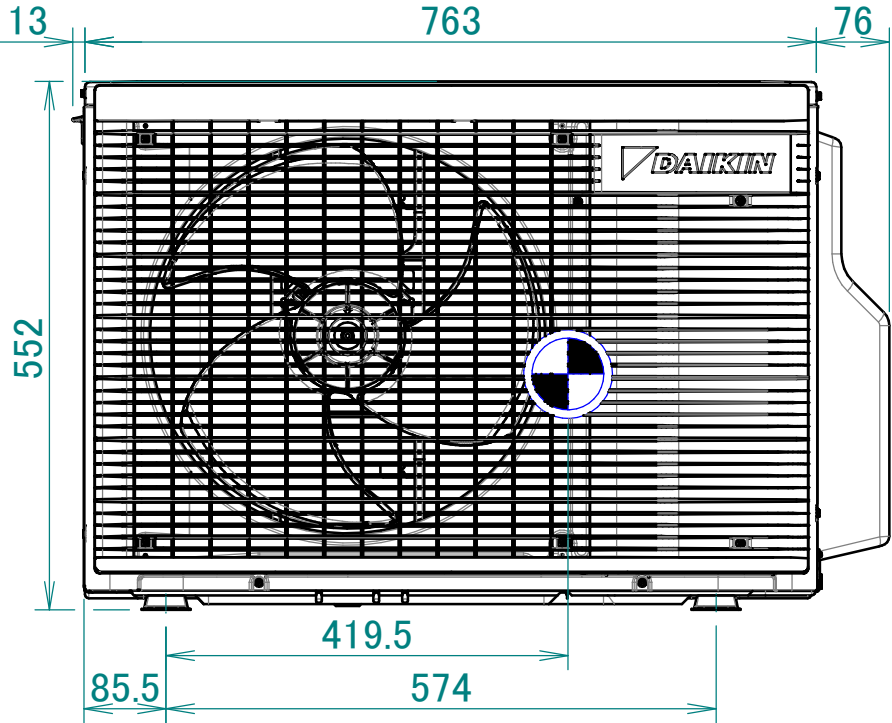


2MXM50A



Foundation bolt hole

4D139693