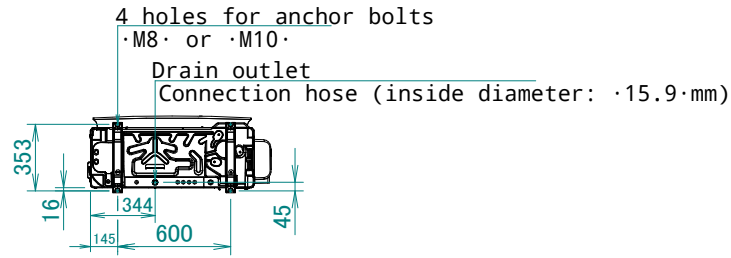
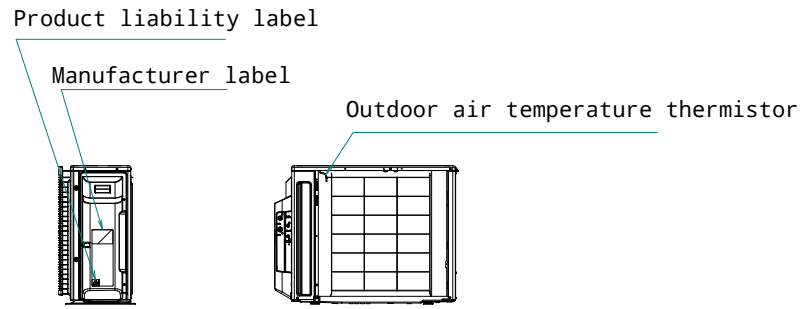
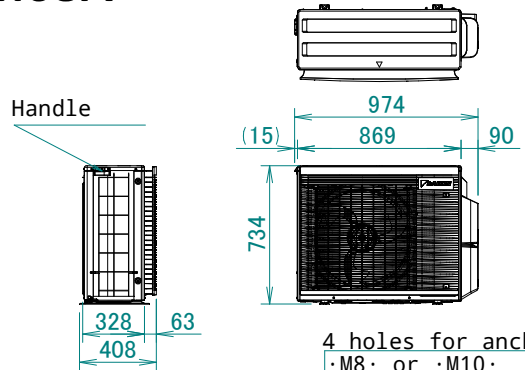
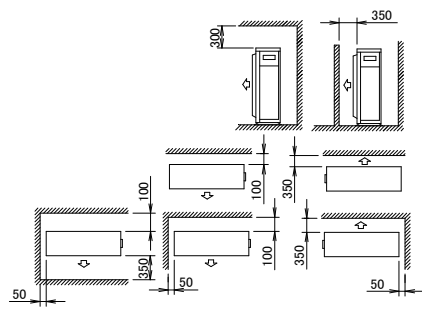


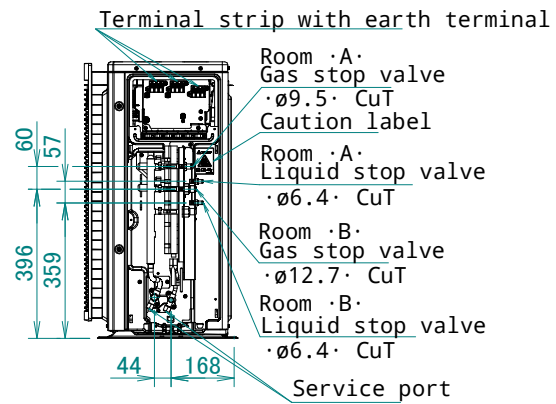
# 2MXM68A



Minimum space for air passage  
Wall height on air outlet side < 1200 mm



In case of removing the stop valve cover.



**3D139689**