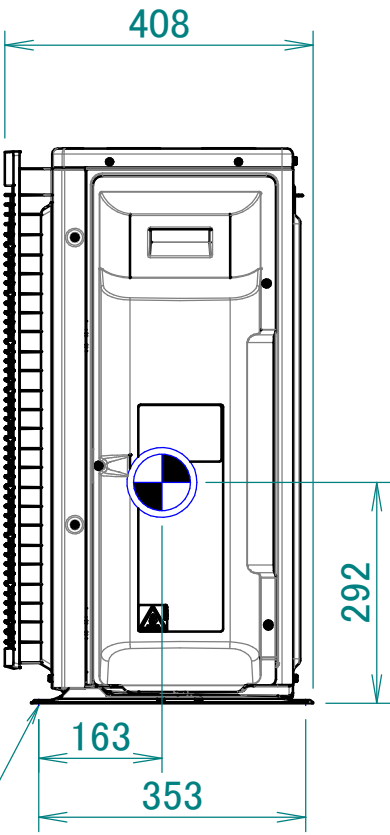
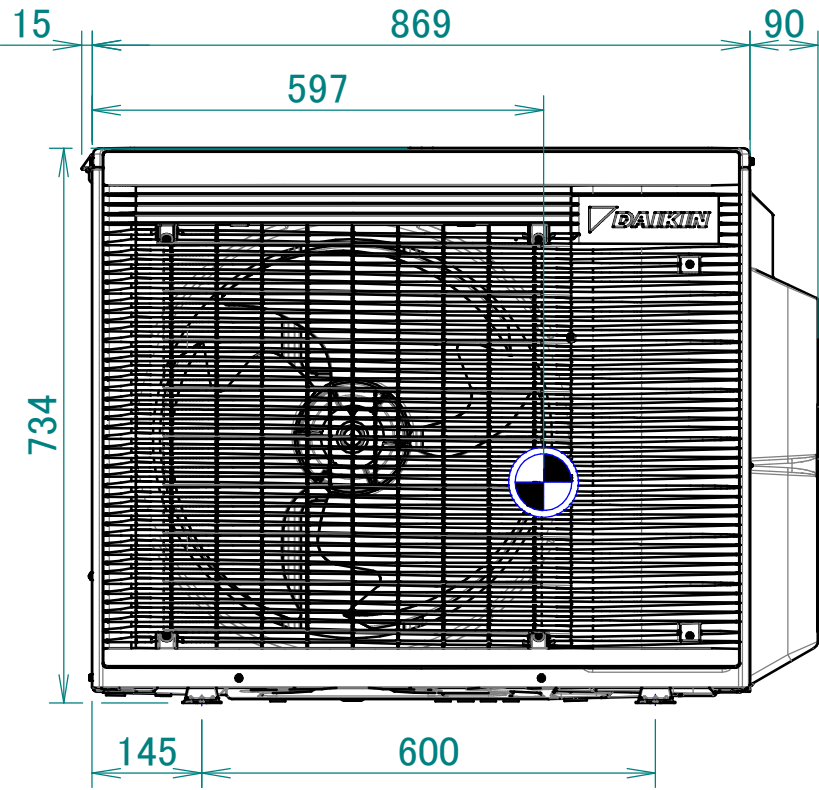


# 2MXM68A



Foundation bolt hole

4D139754