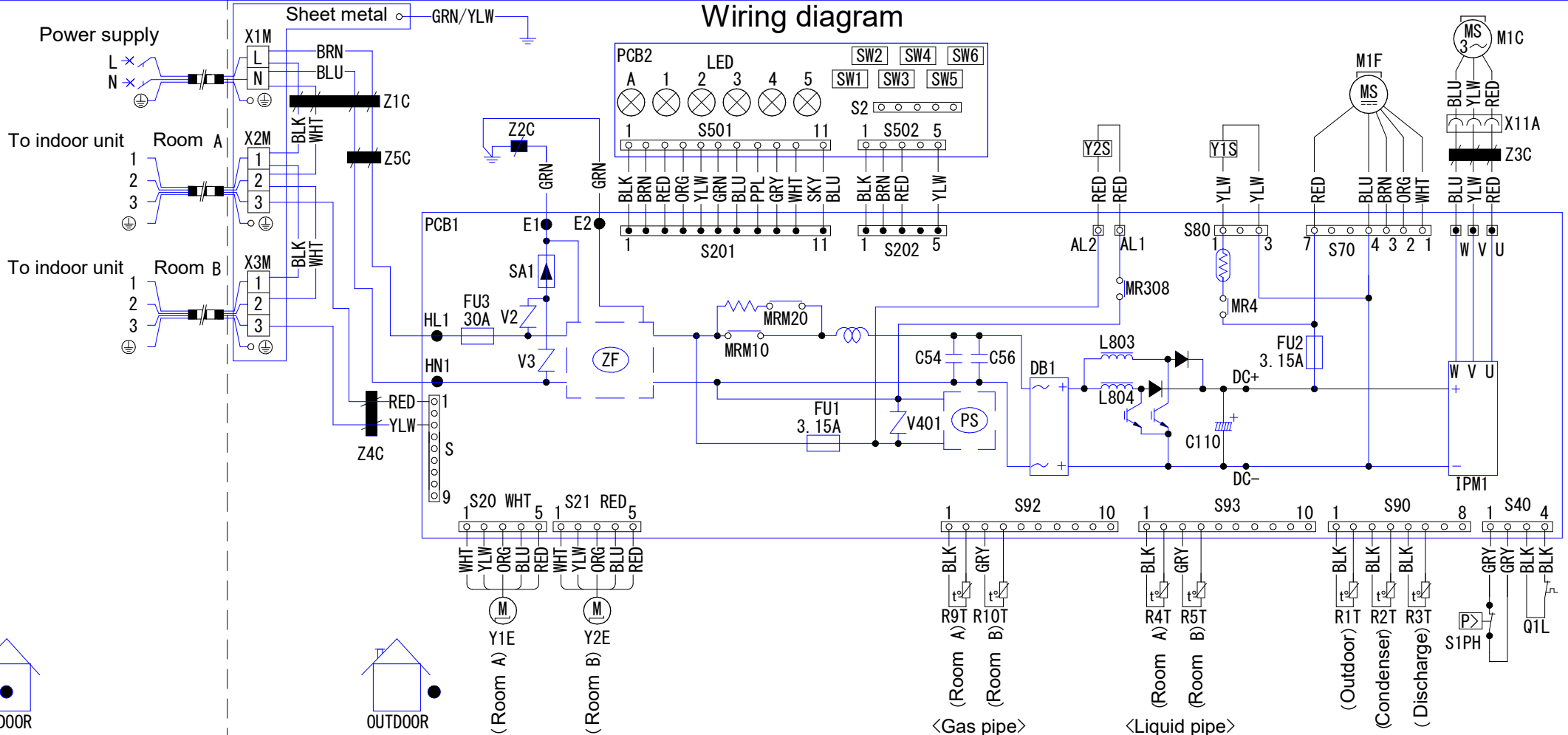


Wiring diagram



C110, C54, C56	Capacitor				
DB1	Diode bridge	ZF	Noise filter		
FU1, FU2, FU3	Fuse	S, S2-S502	Connector		
IPM1	Intelligent power module	U, V, W	Connector		
L803, L804	Reactor	X11A, AL1, AL2	Connector		
LED1-5, LEDA	Light-emitting diode				
M1C	Compressor motor				
M1F	Fan motor				
MRM10, MRM20	Magnetic relay				
MR4, MR308	Magnetic relay				
PCB1, PCB2	Printed circuit board				
PS	Switching power supply				
		Y1E-Y2E	Electronic expansion valve coil		
		Y1S	Reversing solenoid valve coil		
		Y2S	Solenoid valve		
		Z1C-Z5C	Ferrite core		
				BLK: black	GRY: grey
				BLU: blue	ORG: orange
				BRN: brown	PPL: purple
				GRN: green	RED: red
					SKY BLU: sky blue
					WHT: white
					YLV: yellow
					3D130366-1