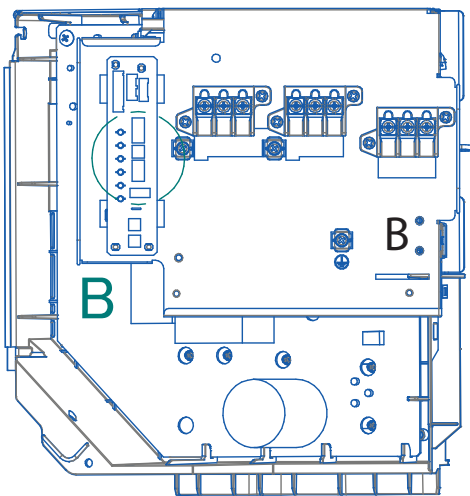
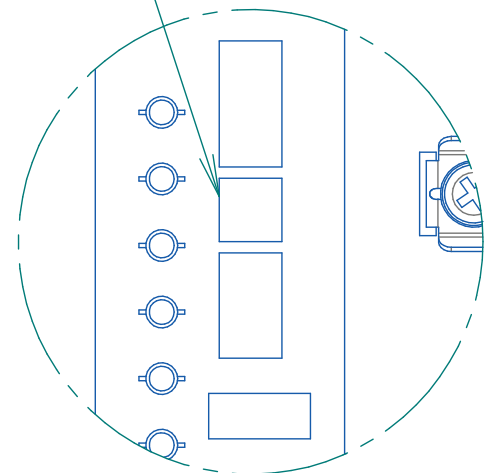


Disassembly of unit

Switch SW6-2 to "on" position



Arrow view A
El. Compo. Assy



Detail B