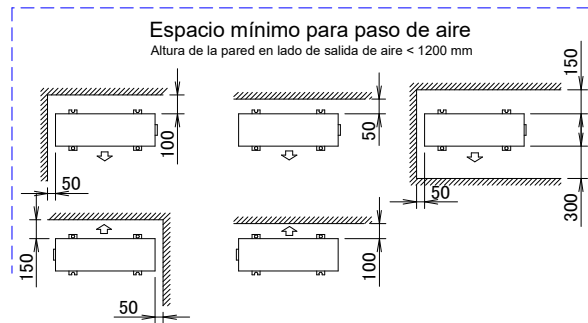
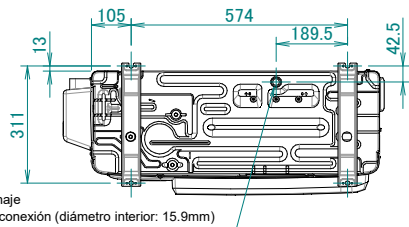
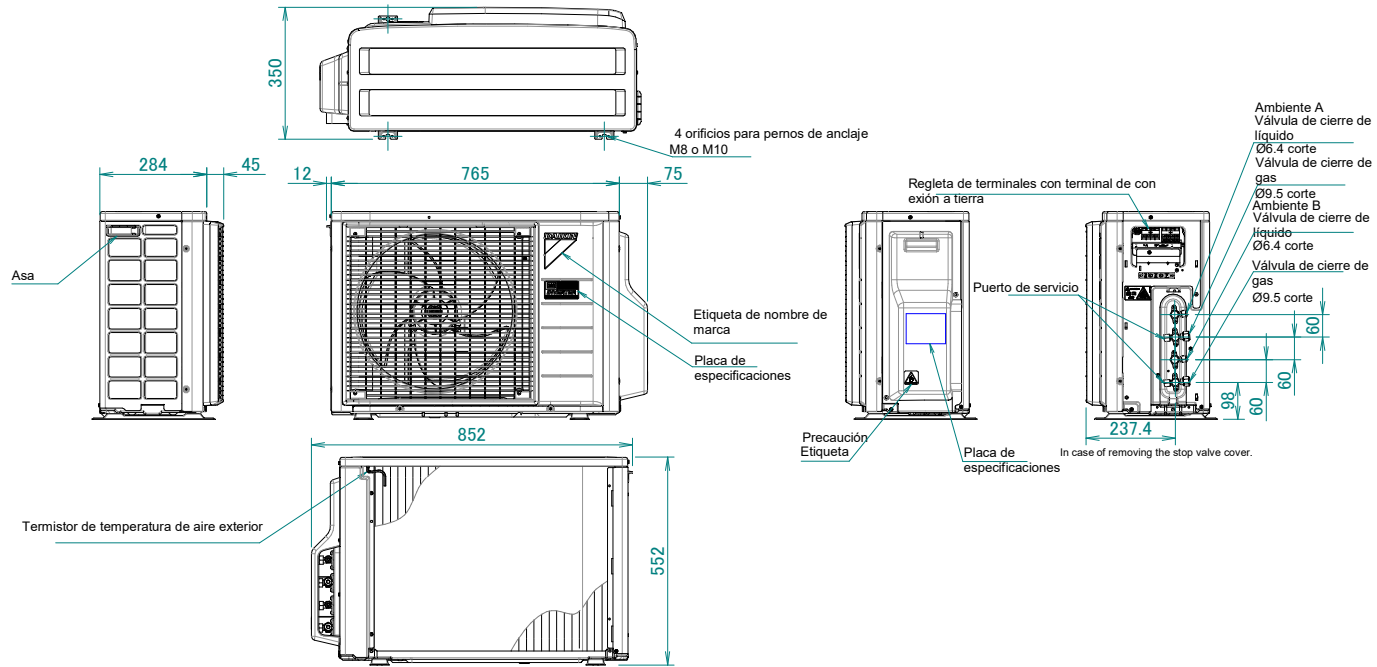


2AMXF40B



3D101252C