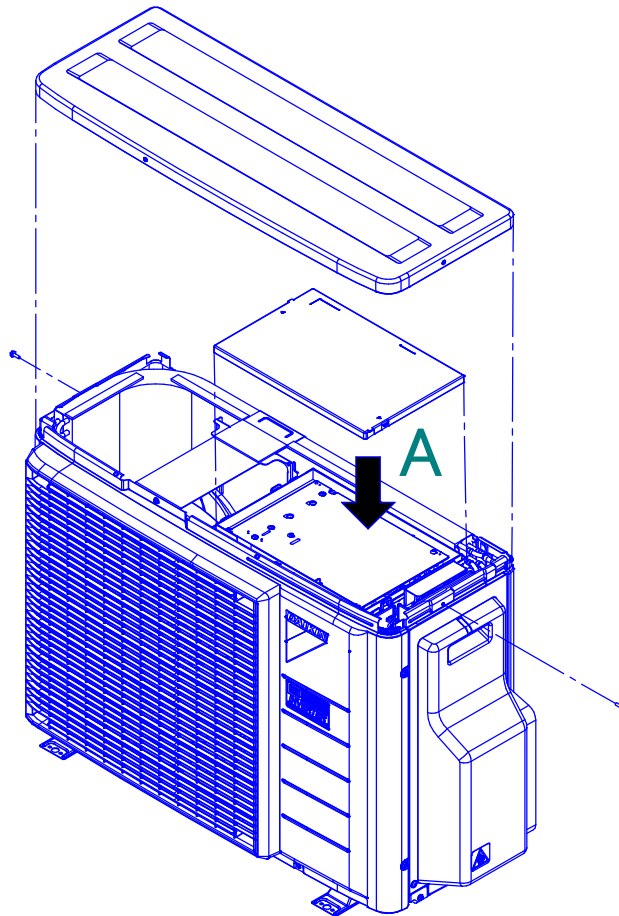
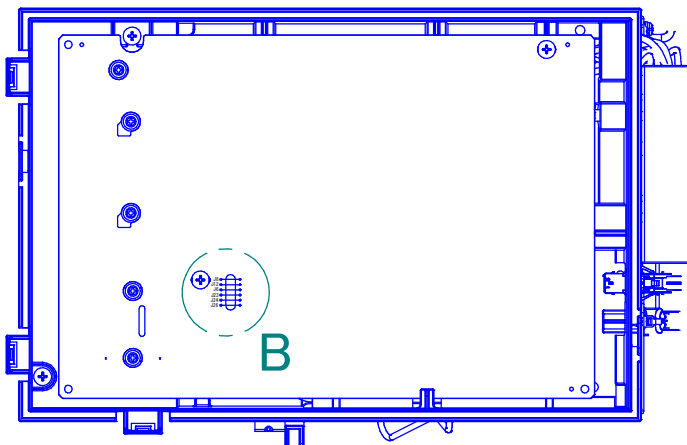


# 2MXM-N9 2AMXM-M9

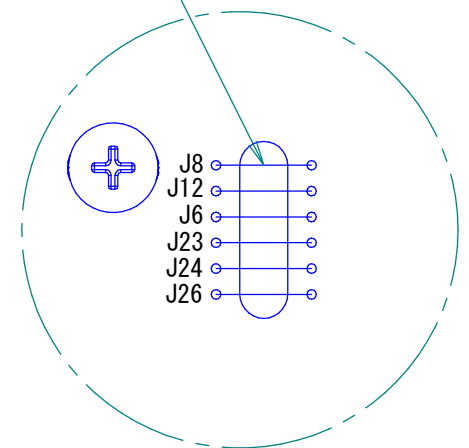


## DISASSEMBLY OF UNIT

CUT JUMPER J8 WITH PLIERS  
(CUT PARTS SHALL NOT TOUCH EACH OTHER)  
(DO NOT DAMAGE OTHER JUMPERS)



ARROW VIEW A  
EL. COMPO. ASSY



DETAIL B