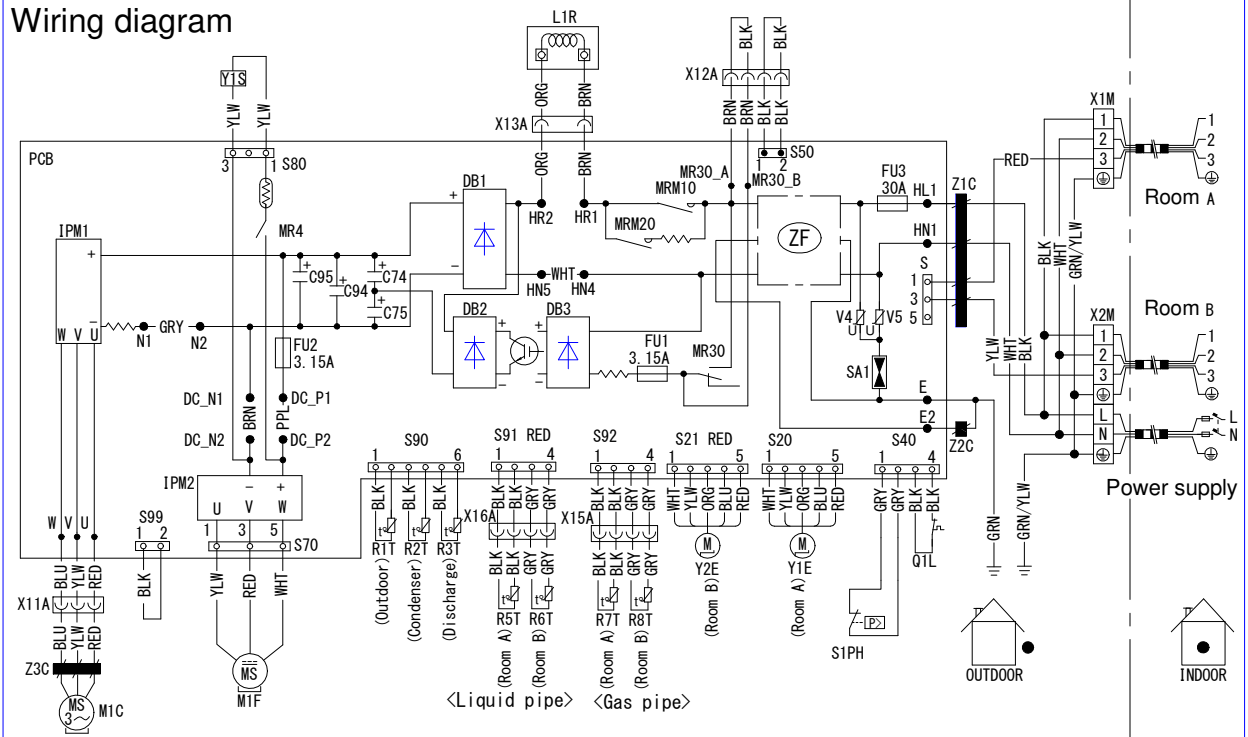


Wiring diagram



190

C74, C75, C94, C95	Capacitor	SA1	Surge arrester	
DB1, DB2, DB3	Diode bridge	S1PH	High pressure switch	
FU1, FU2, FU3	Fuse	V4, V5	Varistor	
IPM1	Intelligent power module	X1M-X2M	Terminal strip with earth terminal	Field wiring
L1R	Reactor	Y1E-Y2E	Electronic expansion valve coil	Screw terminal
M1C	Compressor motor	Y1S	Reversing solenoid valve coil	Connector
M1F	Fan motor	ZF	Noise filter	WHT: white
MRM10, MRM20	Magnetic relay	Z1C-Z3C	Ferrous core	BLK: black
MR4, MR30	Magnetic relay	S2-S502	Connector	ORG: orange
PCB	Printed circuit board	X11A-X16A	Connector	BLU: blue
Q1L	Overload protector	S99	Heating-to-cooling changeover	BRN: brown
R1T-R8T	Thermistor			RED: red
				GRN: green
				Y1W: yellow