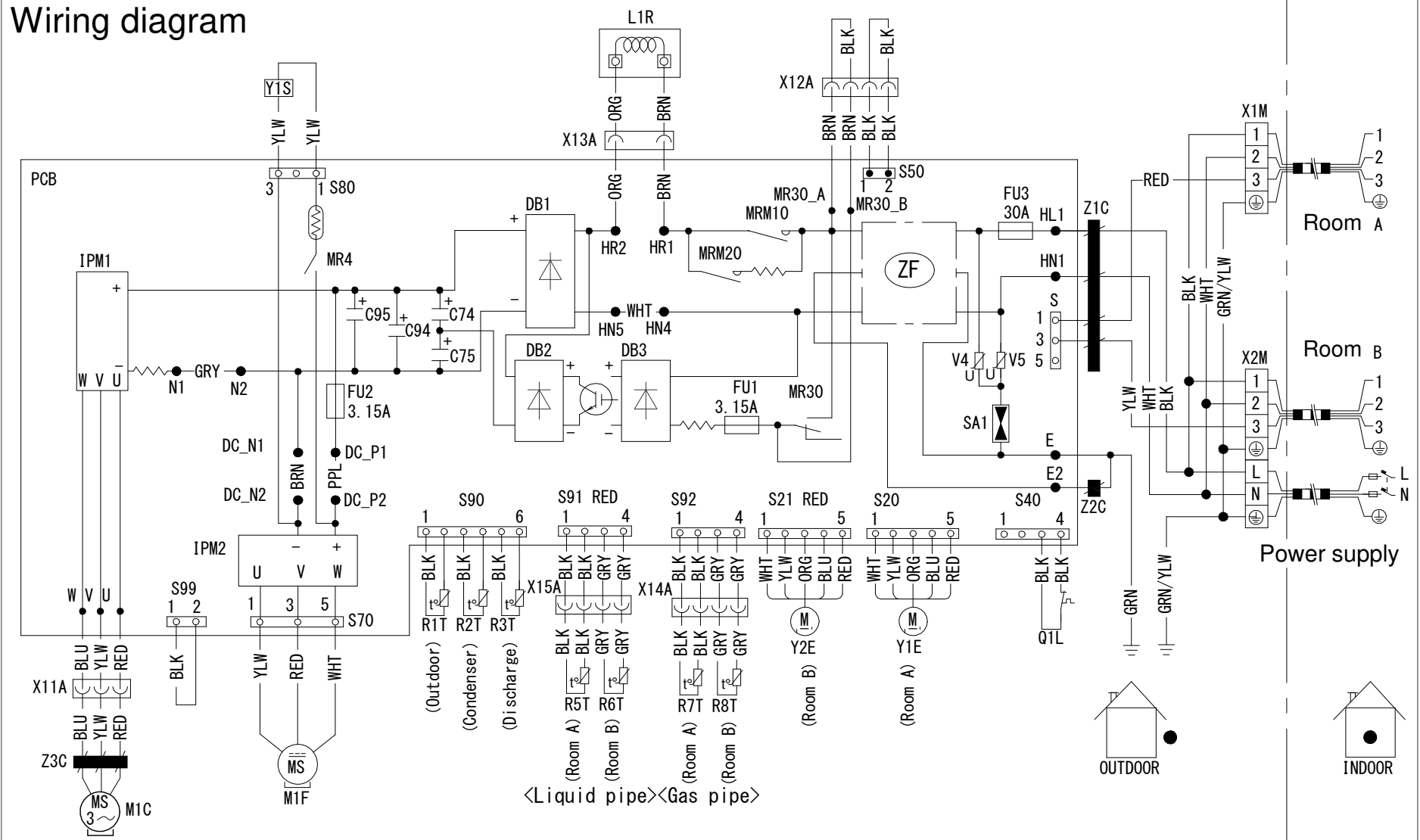


Wiring diagram



|                    |                          |           |                                    |             |                |
|--------------------|--------------------------|-----------|------------------------------------|-------------|----------------|
| C74, C75, C94, C95 | Capacitor                | SA1       | Surge arrestor                     |             |                |
| DB1, DB2, DB3      | Diode bridge             | V4, V5    | Varistor                           |             |                |
| FU1, FU2, FU3      | Fuse                     | X1M-X2M   | Terminal strip with earth terminal |             | Field wiring   |
| IPM1               | Intelligent power module | Y1E-Y2E   | Electronic expansion valve coil    |             | Screw terminal |
| L1R                | Reactor                  | Y1S       | Reversing solenoid valve coil      |             | Connector      |
| M1C                | Compressor motor         | ZF        | Noise filter                       | WHT: white  | GRY: grey      |
| M1F                | Fan motor                | Z1C-Z3C   | Ferrite core                       | BLK: black  | ORG: orange    |
| MRM10, MRM20       | Magnetic relay           | S2-S50    | Connector                          | BLU: blue   | RED: red       |
| MR4, MR30          | Magnetic relay           | X11A-X15A | Connector                          | BRN: brown  | YLW: yellow    |
| PCB                | Printed circuit board    | S99       | Heating-to-cooling changeover      | GRN: green  |                |
| Q1L                | Overload protector       |           |                                    | PPL: purple |                |
| R1T-R8T            | Thermistor               |           |                                    |             |                |