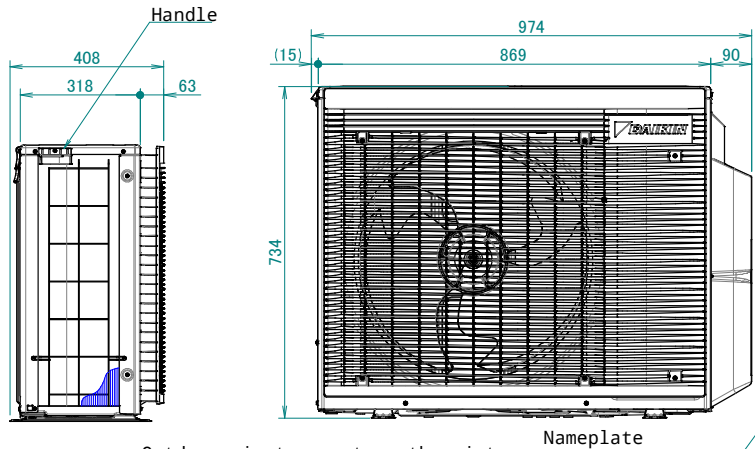
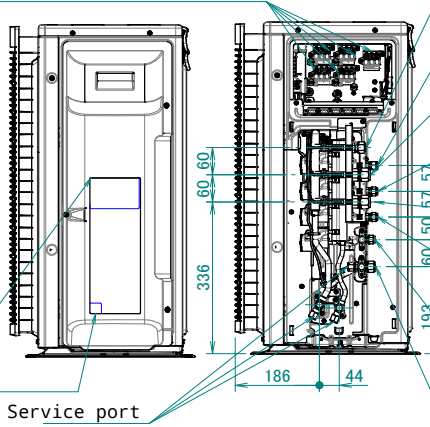


# 4MWXM-A

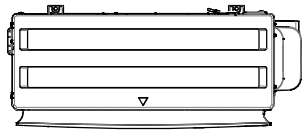
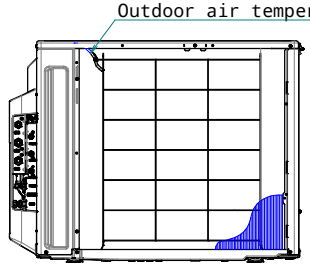
In case of removing the stop valve cover.



Terminal strip with earth terminal



- Room :A:  
Gas stop valve  
·Ø 9.5· CuT
- Room :A:  
Liquid stop valve  
·Ø 6.4· CuT
- Room :B:  
Gas stop valve  
·Ø 12.7· CuT
- Room :B:  
Liquid stop valve  
·Ø 6.4· CuT
- Room :C:  
Gas stop valve  
·Ø 12.7· CuT
- Room :C:  
Liquid stop valve  
·Ø 6.4· CuT
- Domestic hot water tank  
Liquid stop valve  
·Ø 6.4· CuT
- Domestic hot water tank  
Gas stop valve  
·Ø 9.5· CuT



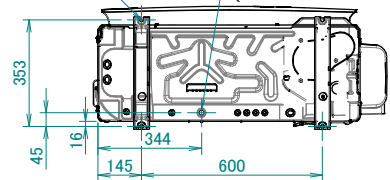
Caution label

Service port

Rear view

4 holes for anchor bolts  
·M8· or ·M10·

Drain outlet  
Connection hose  
(inside diameter: ·15.9·mm)



Bottom view

Minimum space for air passage

