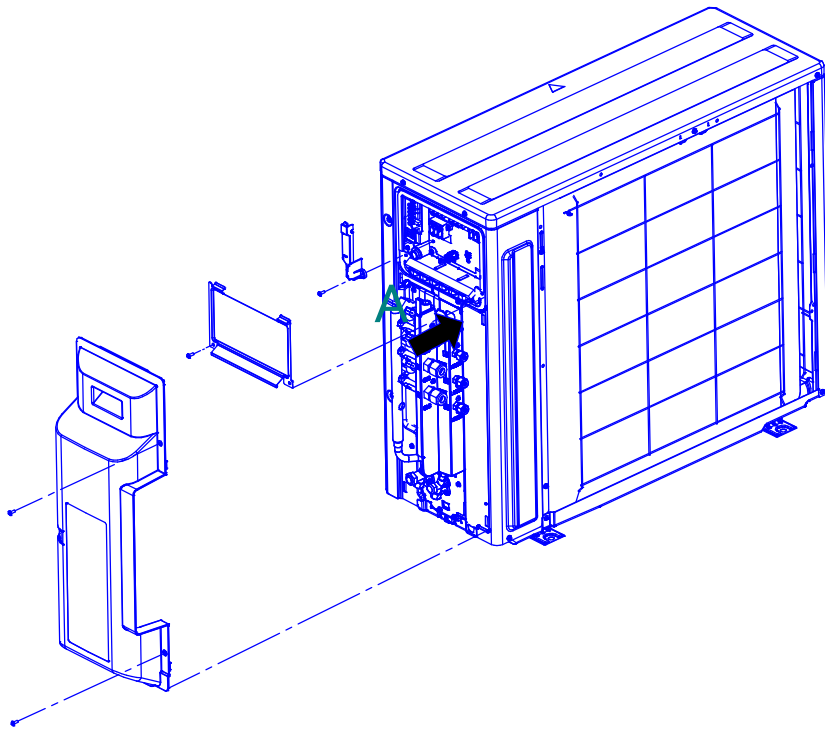
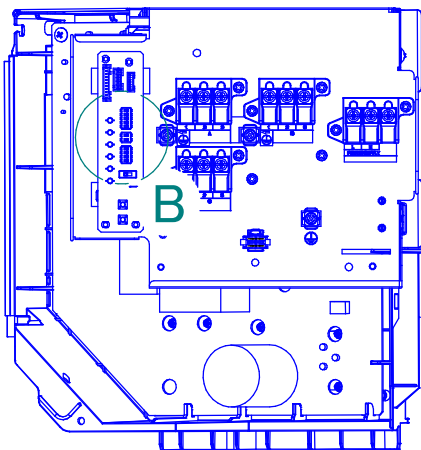


# 4MWXM-A

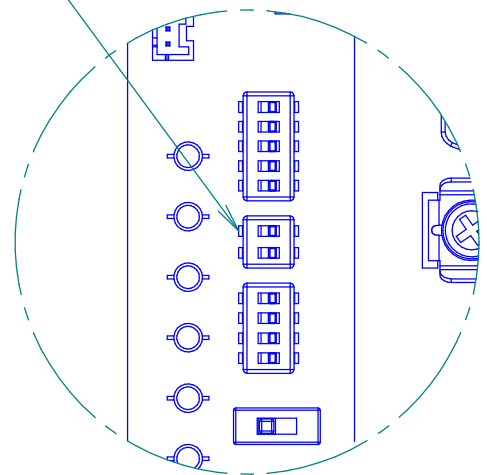


## DISASSEMBLY OF UNIT

SWICH SW6-2 TO "ON" POSITION



ARROW VIEW A  
EL. COMPO. ASSY



DETAIL B