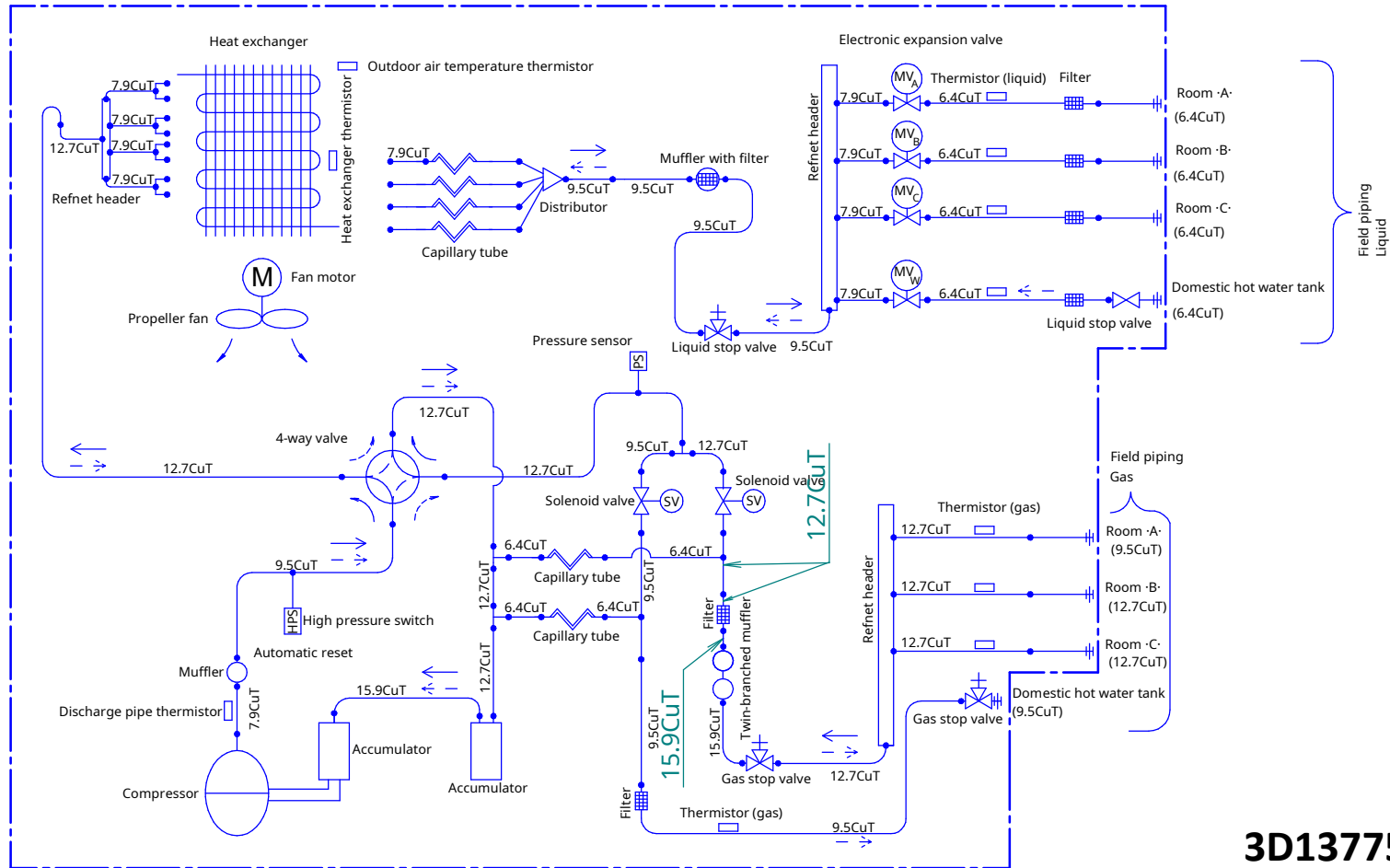


4MWXM-A

Refrigerant flow
 → Cooling
 ⇄ Heating

Outdoor Unit



3D137756