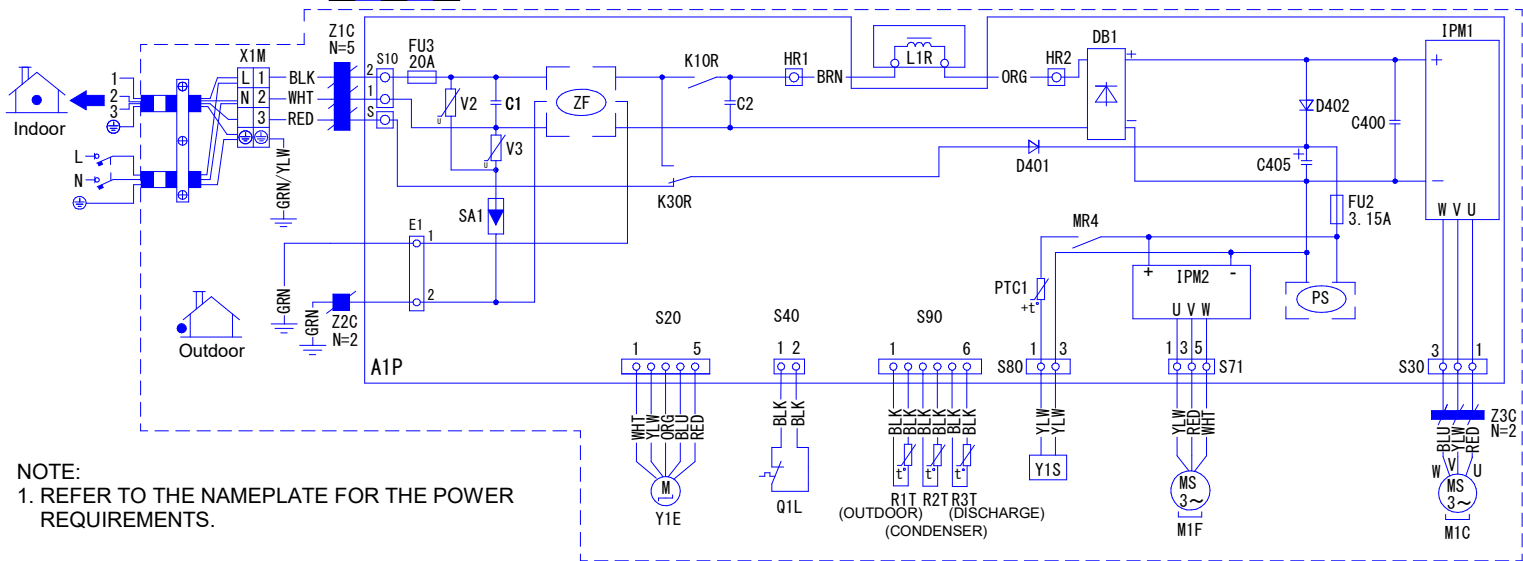


WIRING DIAGRAM

FIELD WIRING



NOTE:

- REFER TO THE NAMEPLATE FOR THE POWER REQUIREMENTS.

C1, C2, C400, C405	:Capacitor
D401, D402	:Diode
DB1	:Diode bridge
FU2, FU3	:Fuse
IPM1, IPM2	:Intelligent power module
L1R	:Reactor
M1C	:Compressor motor
M1F	:Fan motor
K30R, K10R, MR4	:Magnetic relay
A1P	:Printed circuit board
PS	:Switching power supply
Q1L	:Overload protector

R1T, R2T, R3T	:Thermistor
SA1	:Surge arrester
S, S10, S20, S30, S40, S71, S80, S90	:Connector
V2, V3	:Varistor
X1M	:Terminal strip
Y1S	:Reversing solenoid valve coil
PTC1	:Thermistor PTC
Y1E	:Electronic expansion valve coil
Z1C, Z2C, Z3C	:Ferrite core
⊕	:Noise filter
⊕	:Protective earth
⊕	:Earth

BLK	:Black
WHT	:White
BRN	:Brown
RED	:Red
GRN	:Green
YLW	:Yellow
ORG	:Orange
BLU	:Blue

NOTES

- SIZE:LENGTH 90 X WIDTH 155 .
- REFER TO PURCHASING SPECIFICATION AS(Y) 303002, UNLESS OTHERWISE SPECIFIED.
- THIS DRAWING WAS DRAWN ON CAD SYSTEM.