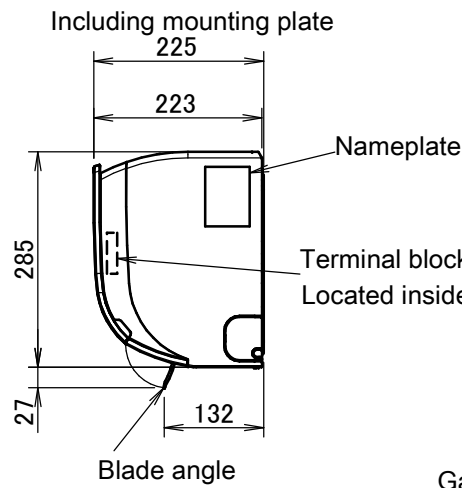
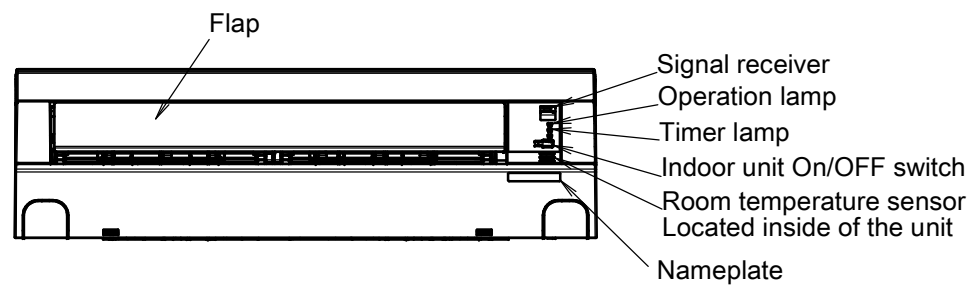
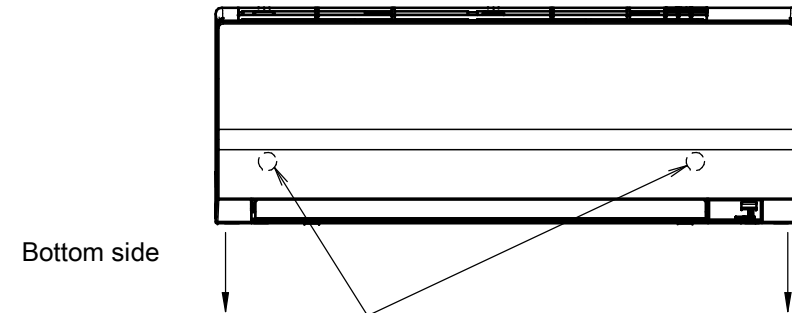
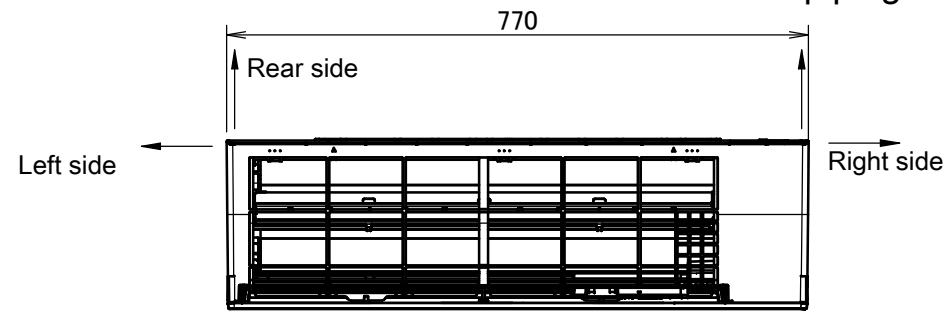
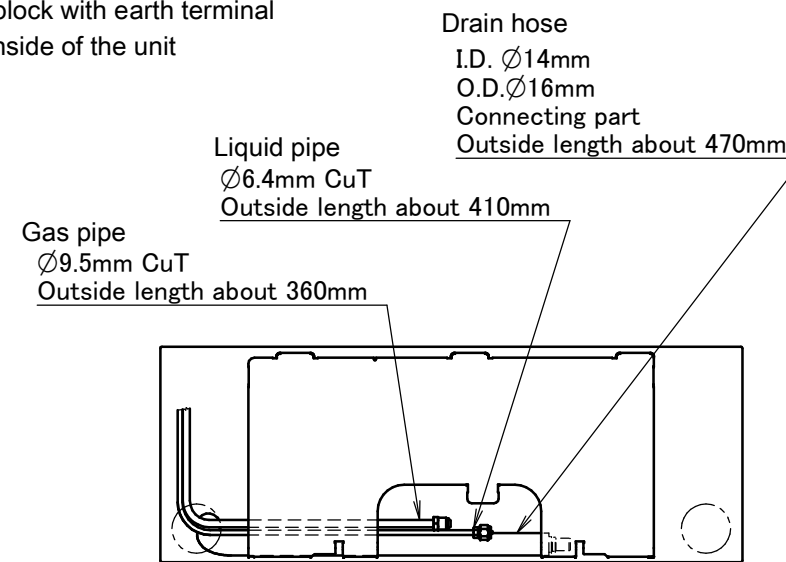
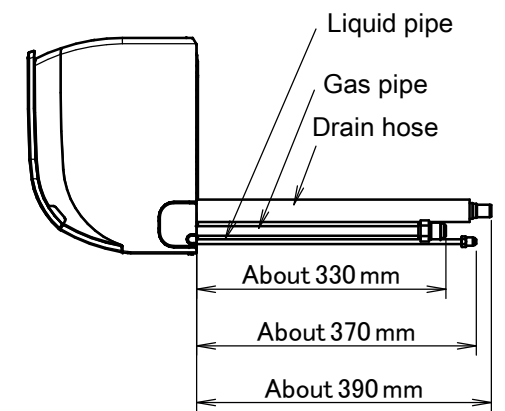
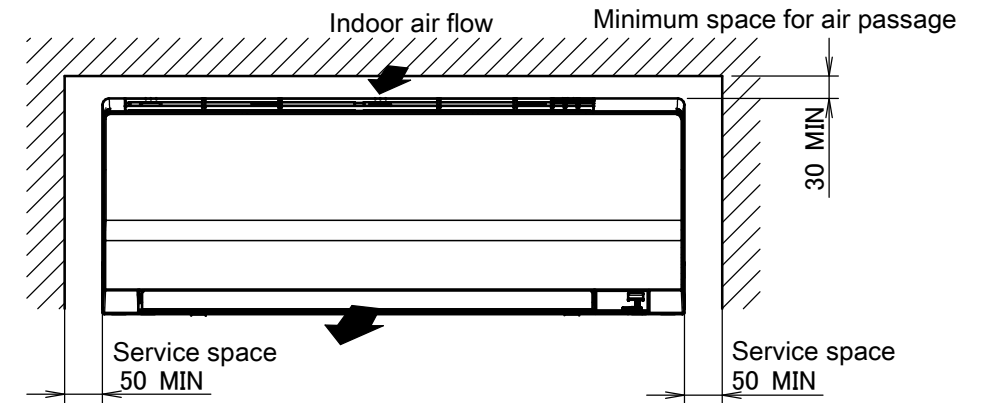


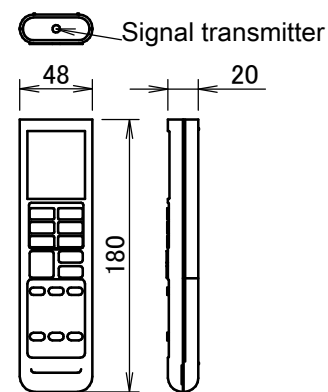
The mark shows the piping direction.



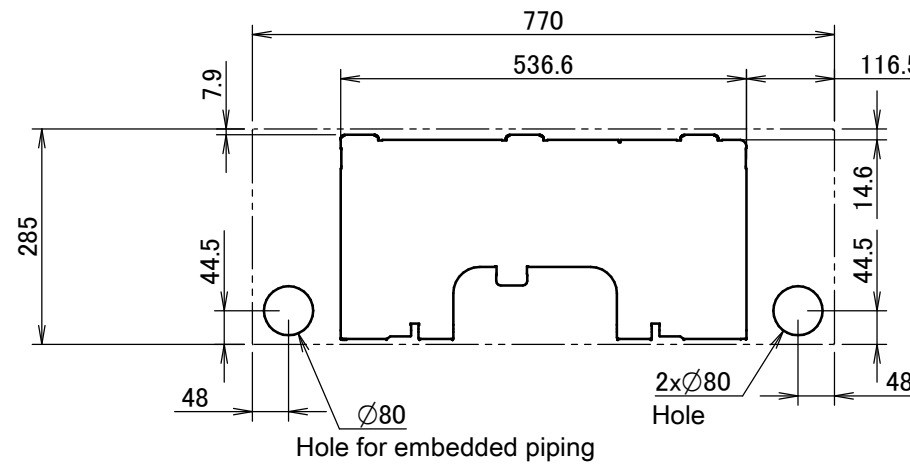
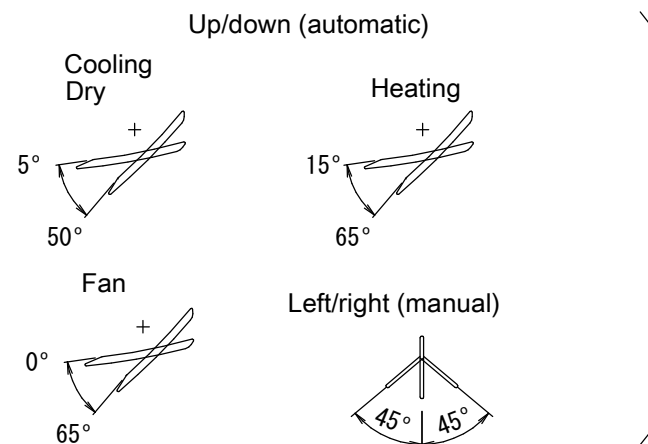
Required space for service and ventilation



Blade angle



Infrared remote controller  
(ARC480A11)



Standard location of holes in the wall