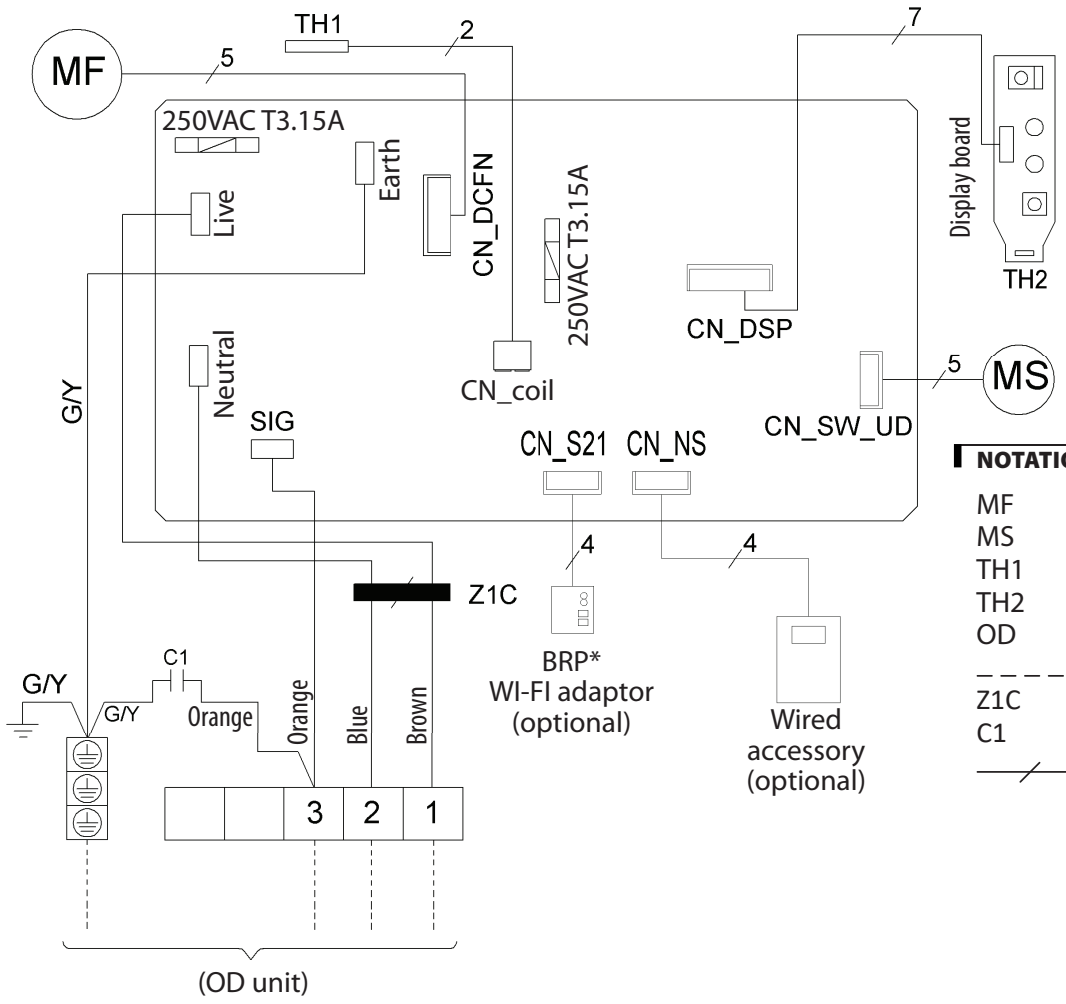


ATXC20-35D
FTXC20-35D



NOTATION

MF	: Fan motor
MS	: Air swing motor
TH1	: Indoor coil thermistor
TH2	: Room thermistor
OD	: Outdoor
---	: Field supply wiring
Z1C	: Ferrite core
C1	: Capacitor
—/— N	: N indicates number of wires