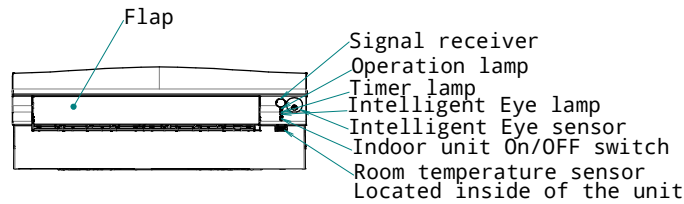
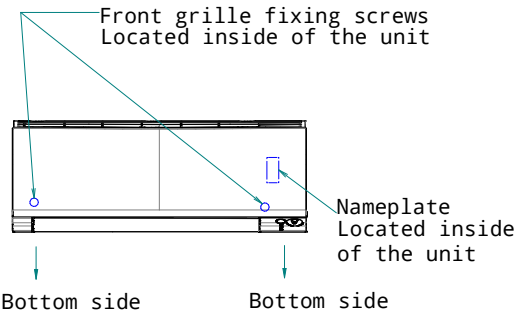
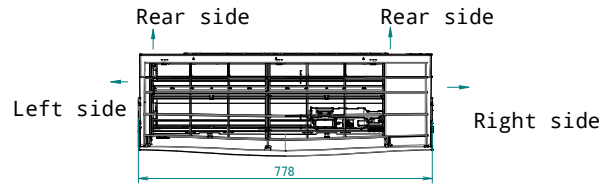
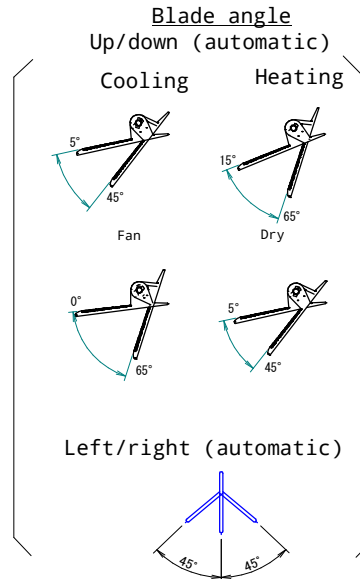
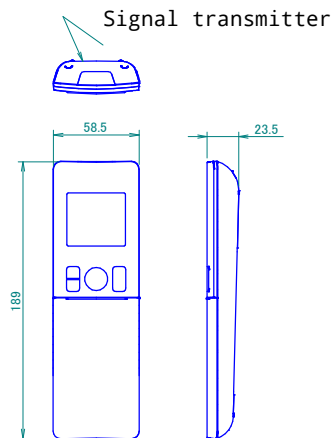


ATXM20-35R



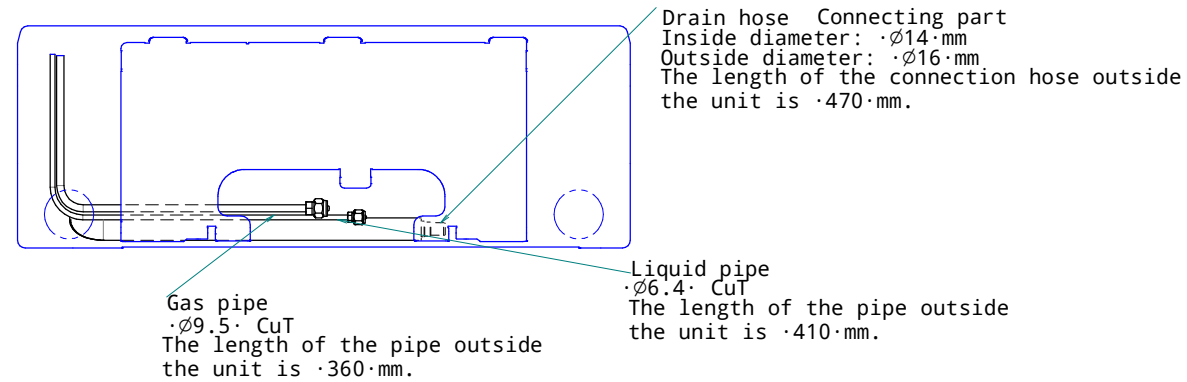
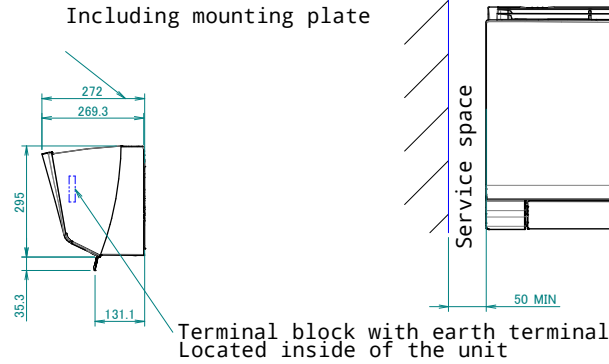
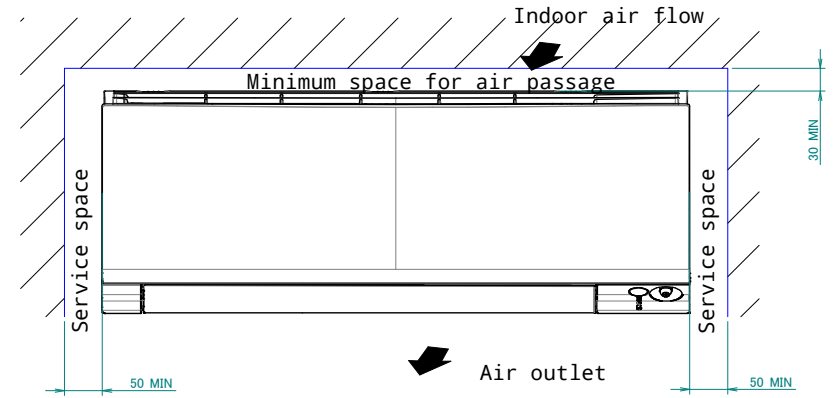
Wireless remote control (ARC466A67)



Notes

1The ·→· mark shows the piping direction.

Required space for service and ventilation



Standard location of holes in the wall

