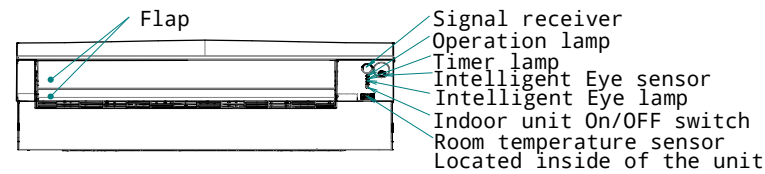
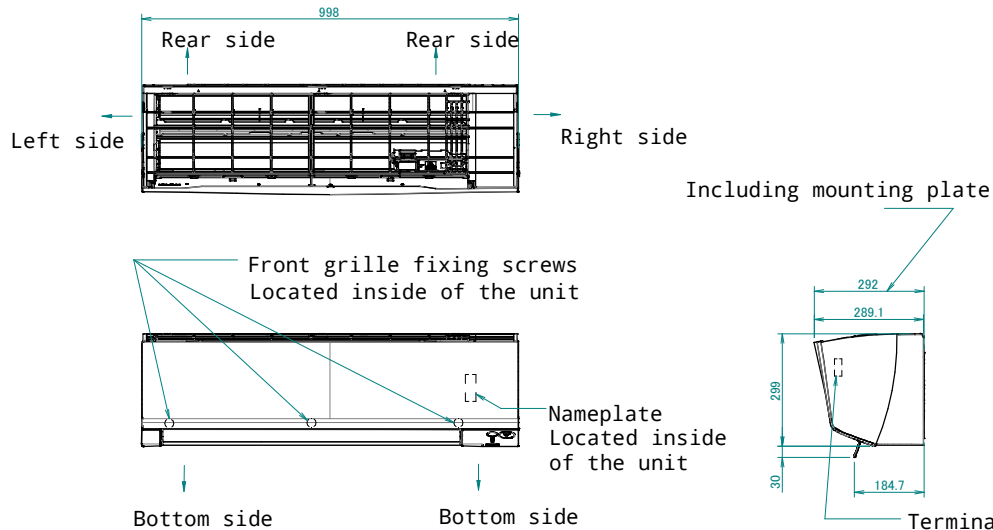
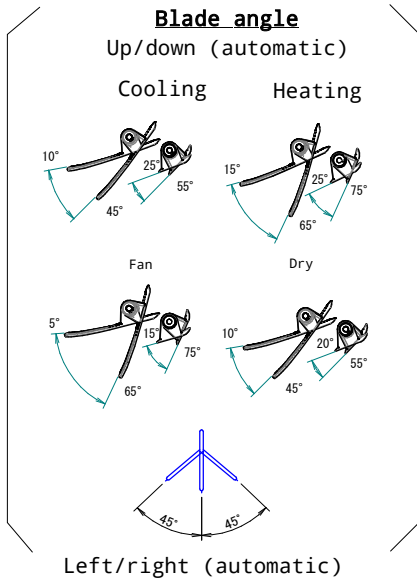
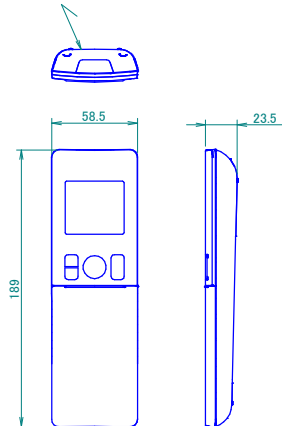


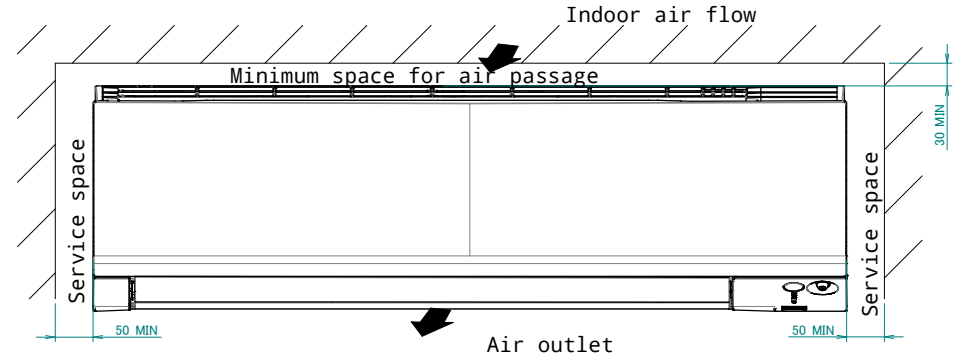
Applicable models
FTXM50R2V1B/FTXM60R2V1B
ATXM50R2V1B



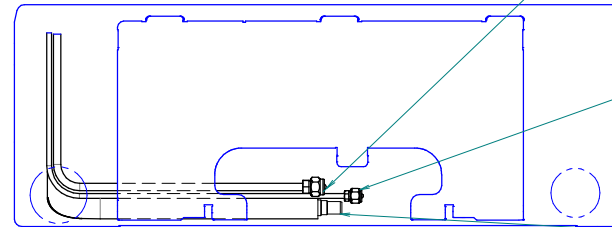
Wireless remote control (ARC466A67) Signal transmitter



Required space for service and ventilation



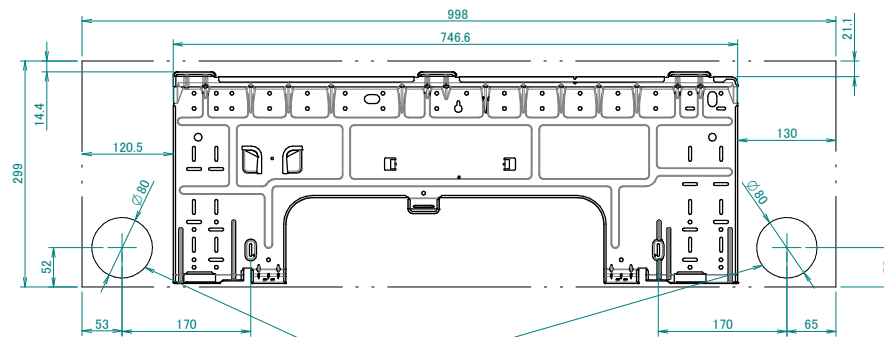
Gas pipe
· $\phi 12.7$ mm · CuT
The length of the pipe outside the unit is · 400 mm.



Liquid pipe
· $\phi 6.4$ mm · CuT
The length of the pipe outside the unit is · 460 mm.

Drain hose Connecting part
Inside diameter: · $\phi 14$ mm
Outside diameter: · $\phi 16$ mm
The length of the connection hose outside the unit is · 440 mm.

Standard location of holes in the wall



Hole for embedded piping