

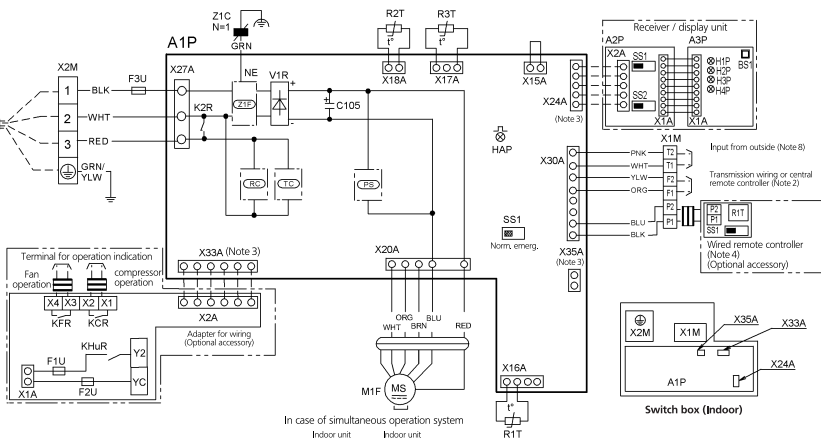
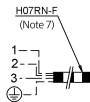
# FDXS-F(9)

## Indoor unit

- A1P : Printed circuit board
- C105 : Capacitor
- F3U : Fuse (F, 5A, 250V)
- K2R : Magnetic relay
- PS : Power supply circuit
- RC : Receiving circuit
- TC : Transmission circuit
- HAP : Light emitting diode (Service monitor-green)
- M1F : Motor (Fan)
- R1T : Thermistor (Air)
- R2T,R3T : Thermistor (Coil)
- SS1 : Selector switch (Emergency)
- V1R : Diode bridge
- X1M : Terminal strip (Control)
- X2M : Terminal strip (Power supply)
- Z1C : Ferrite core (Noise filter)
- Z1F : Noise filter



To outdoor unit



## Receiver / display unit

- A2P : Printed circuit board
- A3P : Printed circuit board
- H1P : Light emitting diode (on-red)
- H2P : Light emitting diode (filter sign-red)
- H3P : Light emitting diode (timer-green)
- H4P : Light emitting diode (defrost-orange)
- SS1 : Selector switch (Main/Sub)
- SS2 : Selector switch (Infrared address set)
- BS1 : Push button (On/Off)

## Connector for optional parts

- X24A : Connector (Infrared remote controller)
- X33A : Connector (Adapter for wiring)
- X35A : Connector (Adapter power supply)

## Wired remote controller

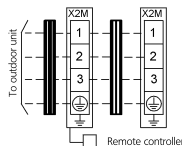
- R1T : Thermistor (air)
- SS1 : Select switch (Emergency)

## Adapter for wiring

- F1U,F2U : Fuse ((B), 5A, 250V)
- KFR, KCR, KHuR : Magnetic relay

## Notes

1. : Terminal block : Connector, : Field wiring
2. In case using central remote controller, connect it to the unit in accordance with the attached installation manual.
3. X24A, X33A, X35A are connected when the optional accessories are being used.
4. For change over of BRC1E type main/sub refer to manual attached to remote controller.
5. Symbols shows as follows: RED:Red BLK:Black WHT:White YLW:Yellow GRN:Green ORG:Orange BRN:Brown PNK:Pink GRY:Gray BLU:Blue
6. Shows only in case of protected pipes, use H07RN-F in case of no protection.
7. For detail, see wiring diagram attached to outdoor unit.
8. When connecting the input wires from outside, forced OFF or ON/OFF control operation can be selected by the remote controller, see manual for detail.



- L : Live
- N : Neutral
- : Wire clamp
- ⊕ : Protective earth (screw)