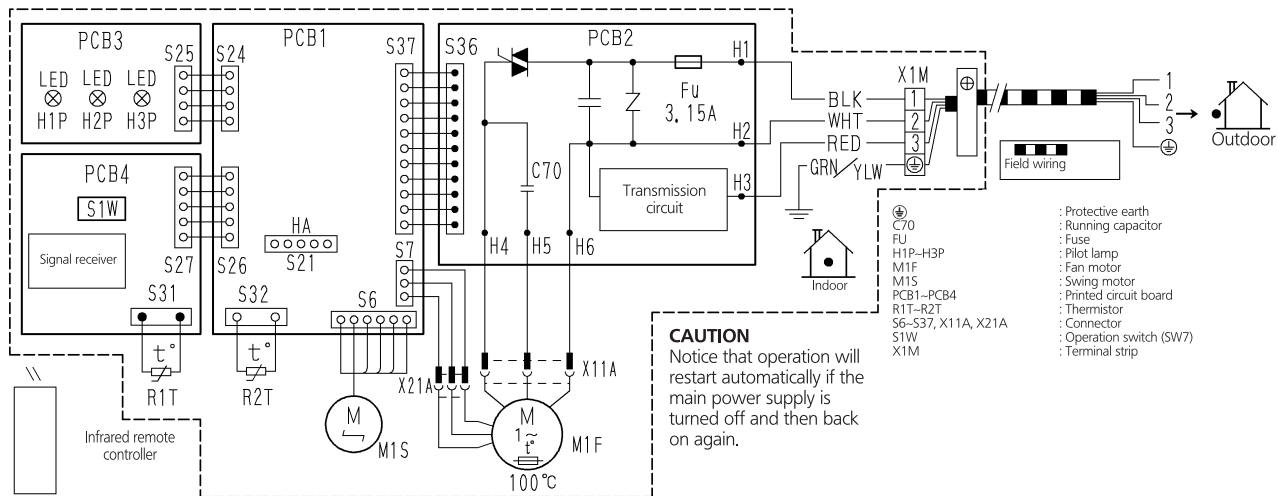


FLXS-B(9)



- ⊕ : Protective earth
- C70 : Running capacitor
- Fu : Fuse
- H1P-H3P : Pilot lamp
- M1F : Fan motor
- M1S : Swing motor
- PCB1-PCB4 : Printed circuit board
- R1T-R2T : Thermistor
- S6-S37, X11A, X21A : Connector
- S1W : Operation switch (SW7)
- X1M : Terminal strip

CAUTION
 Notice that operation will restart automatically if the main power supply is turned off and then back on again.

- Notes
- 1 Size: length 50 x width 125.
 - 2 Nameplate material: wood free tack paper.
 - 3 Coat the reverse side with pressure sensitive adhesive.
 - 4 Refer to purchasing specification AS303002, unless otherwise specified.
 - 5 This drawing was drawn on CAD system.
 - 6 Make a slit on separate liner in vertical direction.

