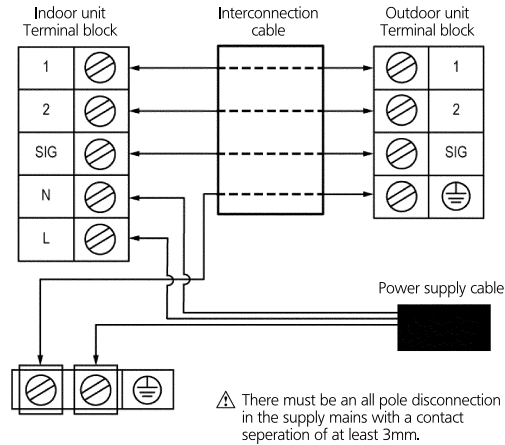


# FTXN-L+RXN-L

## IMPORTANT:

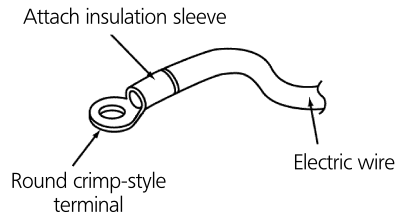
- \* The figures shown in the table are for information purpose only. They should be checked and selected to comply with the local/national codes of regulations. This is also subject to the type of installation and conductors used.
- \*\* The appropriate voltage range should be checked with label data on the unit.



Model	FTXN25/35L RXN25/35L	FTXN50/60L RXN50/60L
Voltage range**	220V - 240V / 1Ph / 50Hz+ Ⓢ	
Power supply cable size* mm <sup>2</sup> Number of conductors	1.5 3	1.5 3
Interconnection cable size* mm <sup>2</sup> Number of conductors	1.5 4	1.5 4
Recommended time delay fuse A	15	20

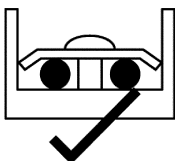
\* If the length of the cable is more than 2m, use cable with bigger size.

- All wires must be firmly connected.
- Make sure all the wires do not touch the refrigerant pipings, compressor or any moving parts.
- The connecting wire between the indoor and the outdoor unit must be clamped by using provided cord anchorage.
- The power supply cord must be equivalent to H07RN-F which is the minimum requirement.
- Make sure no external pressure is applied to the terminal connectors and wires.
- Make sure all the covers are properly fixed to avoid any gap.
- Use round crimp-style terminal for connecting wires to the power supply terminal block. Connect the wires by matching to the indication on terminal block. (Refer to the wiring diagram attached to the unit.)

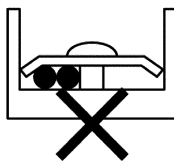


- Use the correct screwdriver for terminal screw tightening. Unsuitable screwdrivers can damage the screw head.
- Over tightening can damage the terminal screws.
- Do not connect wire of different gauge to same terminal.
- Keep wiring in an orderly manner. Prevent the wiring from obstructing other parts and the terminal box cover.

Connect wires of the same gauge to both sides.



Do not connect wires of the same gauge to one side.



Do not connect wires of different gauges.

