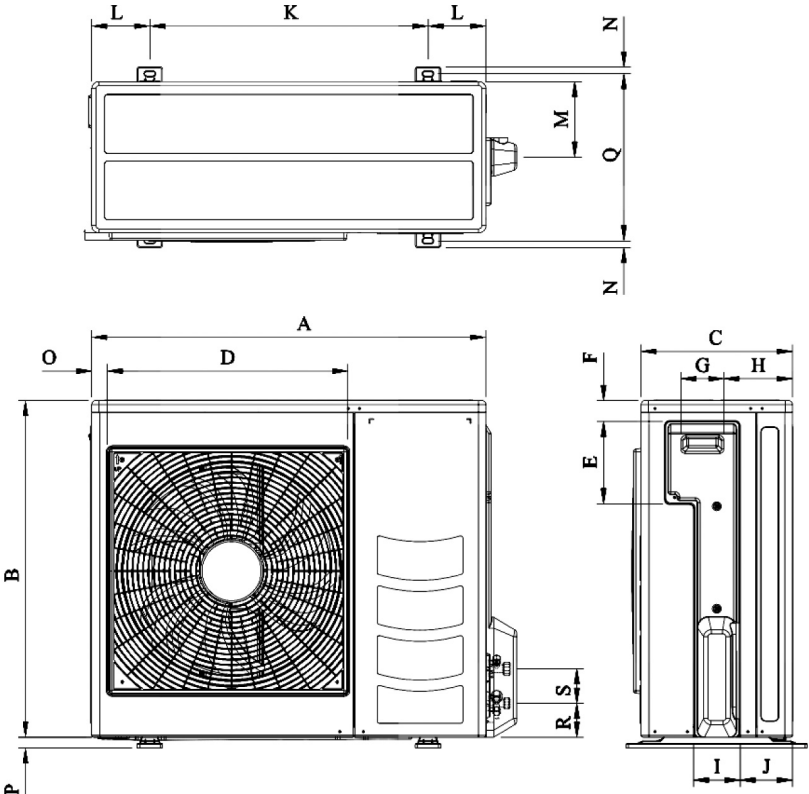


RXN50-60L

All dimensions are in mm



| Model | Dimension | | | | | | | | | | | | | | | | | | |
|-----------|-----------|-----|-----|-----|-----|----|----|-----|-----|-----|-----|-----|-----|----|----|----|-----|----|----|
| | A | B | C | D | E | F | G | H | I | J | K | L | M | N | O | P | Q | R | S |
| RXN50/60L | 855 | 730 | 328 | 520 | 179 | 46 | 93 | 149 | 101 | 113 | 603 | 126 | 164 | 15 | 34 | 23 | 362 | 73 | 75 |