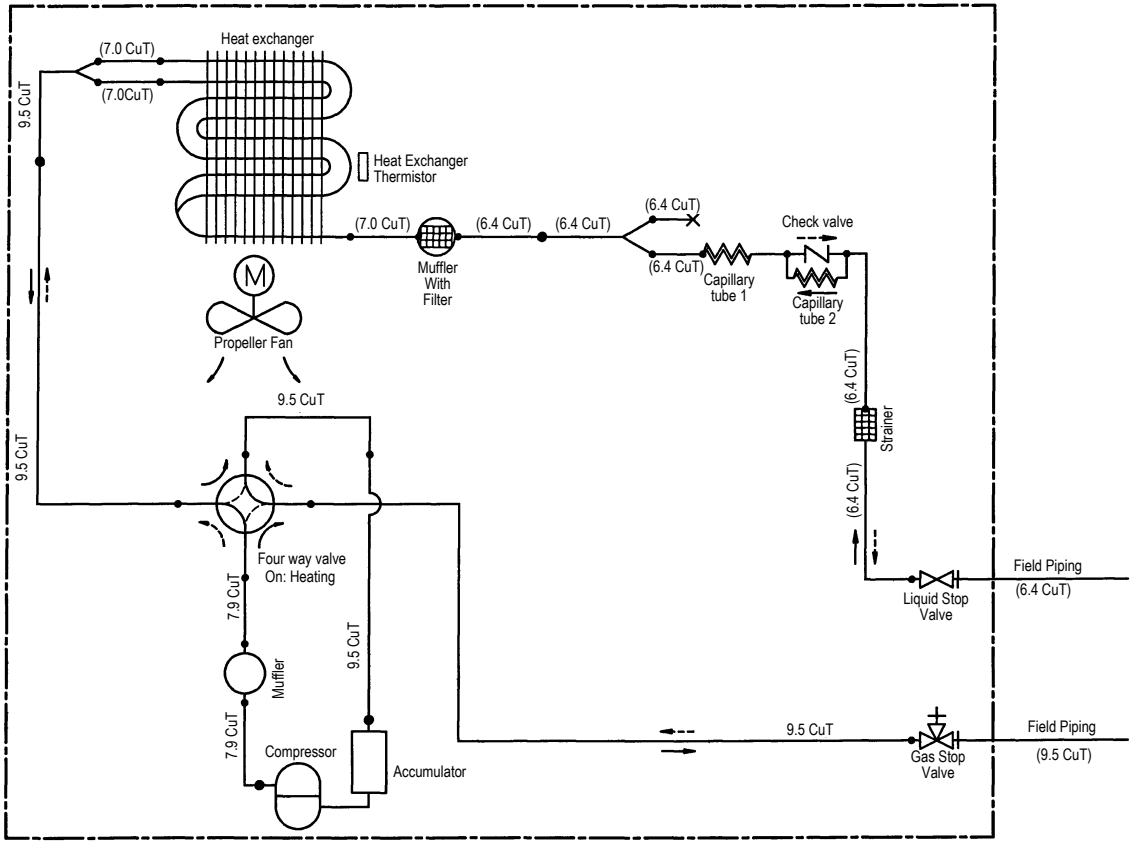


Outdoor Unit



Refrigerant Flow
 - - - -> Cooling
 ———> Heating