

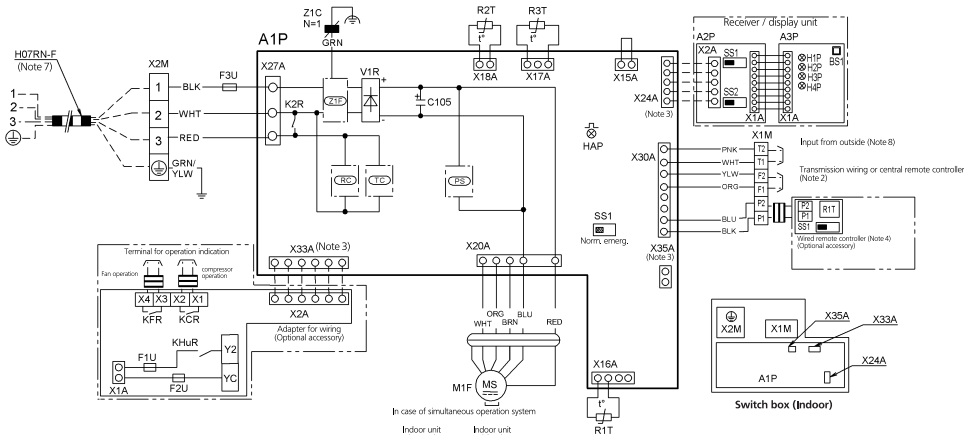
# FDXM-F

## Indoor unit

A1P	: Printed circuit board
C105	: Capacitor
F3U	: Fuse (F, 5A, 250V)
K2R	: Magnetic relay
(PS)	: Power supply circuit
(RC)	: Receiving circuit
(TD)	: Transmission circuit
HAP	: Light emitting diode (Service monitor-green)
M1F	: Motor (Fan)
R1T	: Thermistor (Air)
R2T,R3T	: Thermistor (Coil)
SS1	: Selector switch(Emergency)
V1R	: Diode bridge
X1M	: Terminal strip (Control)
X2M	: Terminal strip (Power supply)
Z1C	: Ferrite core (Noise filter)
Z1F	: Noise filter



To outdoor unit



## Receiver / display unit

A2P	: Printed circuit board
A3P	: Printed circuit board
H1P	: Light emitting diode (on-red)
H2P	: Light emitting diode (filter sign-red)
H3P	: Light emitting diode (timer-green)
H4P	: Light emitting diode (defrost-orange)
SS1	: Selector switch(Main/Sub)
SS2	: Selector switch(Infrared address set)
BS1	: Push button (On/Off)

## Connector for optional parts

X24A	: Connector (Infrared remote controller)
X33A	: Connector (Adapter for wiring)
X35A	: Connector (Adapter power supply)

## Wired remote controller

R1T	: Thermistor (air)
SS1	: Select switch (Emergency)

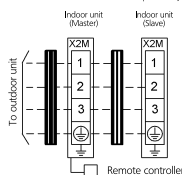
## Adapter for wiring

F1U,F2U	: Fuse ((B), 5A, 250V)
KFR, KCR, KHuR	: Magnetic relay

## Notes

- Terminal block, D-Connector, Field wiring
- In case using central remote controller, connect it to the unit in accordance with the attached installation manual.
- X24A, X33A, X35A are connected when the optional accessories are being used.
- For change over of BRC1E type main/sub refer to manual attached to remote controller.
- Symbols shows as follows: RED:Red BLK:Black WHT:White YLW:Yellow GRN:Green ORG:Orange BRN:Brown PNK:Pink GRY:Gray BLU:Blue
- Shows only in case of protected pipes, use HO7RN-F in case of no protection.
- For detail, see wiring diagram attached to outdoor unit.
- When connecting the input wires from outside, forced OFF or ON/OFF control operation can be selected by the remote controller, see manual for detail.

In case of simultaneous operation system



L	: Live
N	: Neutral
•	: Wire clamp
⊕	: Protective earth (screw)