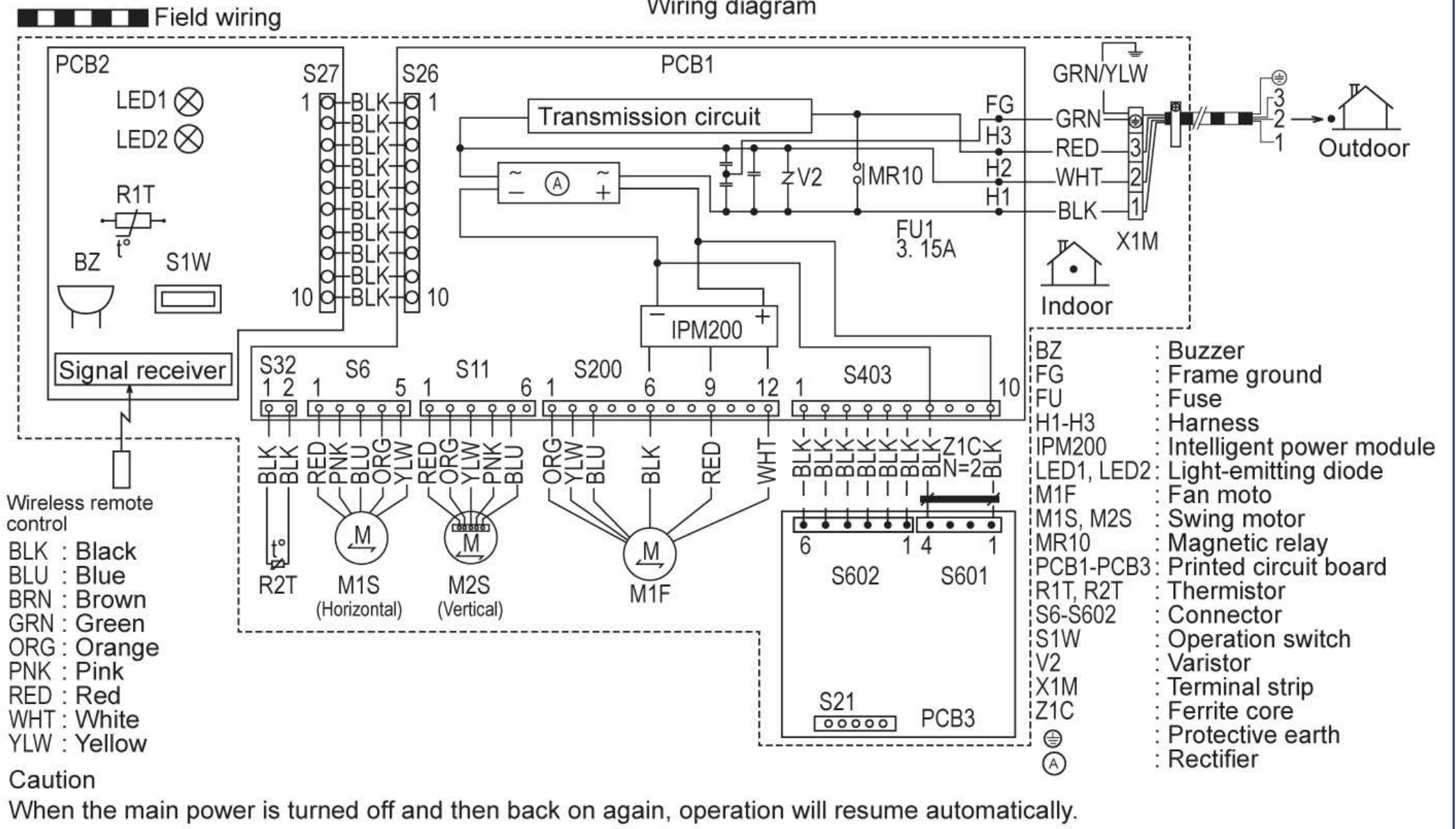


FTXP20-35M

Wiring diagram



- NOTES :**
1. SIZE : LENGTH 70x WIDTH 120
 2. REFER TO PURCHASING SPECIFICATION AS303002 UNLESS OTHERWISE SPECIFIED.
 3. EDITABLE DATA FOR THIS DRAWING ARE AVAILABLE IN THE GDE (E-BOM) SYSTEM.