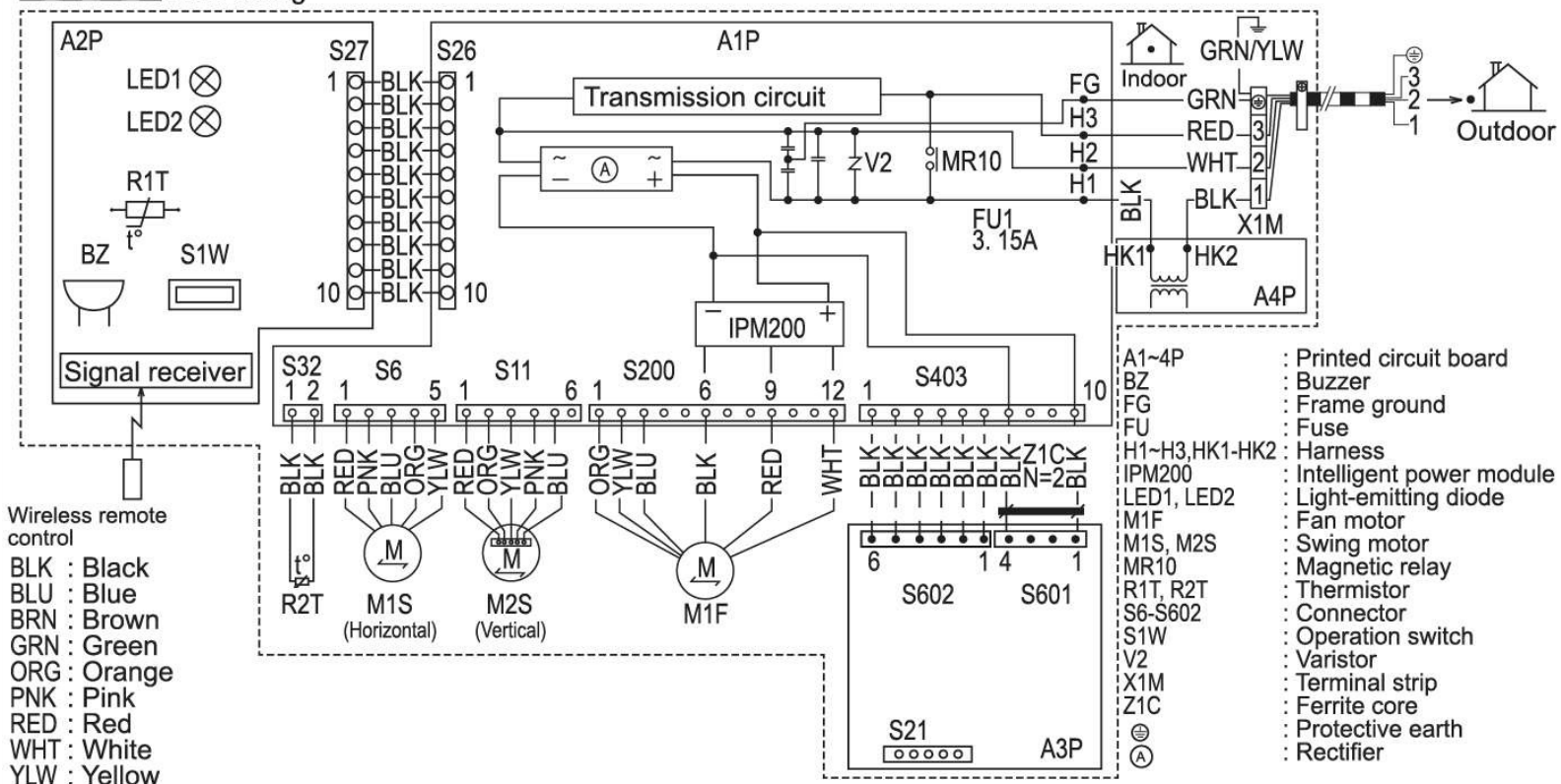


FTXP20-35M9

Field wiring

Wiring diagram



Caution

When the main power is turned off and then back on again, operation will resume automatically.

NOTES :

1. SIZE : LENGTH 70 x WIDTH 120
2. UNLESS OTHERWISE SPECIFIED REFER TO PURCHASING SPECIFICATION AS303002.
3. FOR UNSPECIFIED DETAILS REFER TO "3D128244-1-gsi-midlife-wiring-diagram-200210.ai"