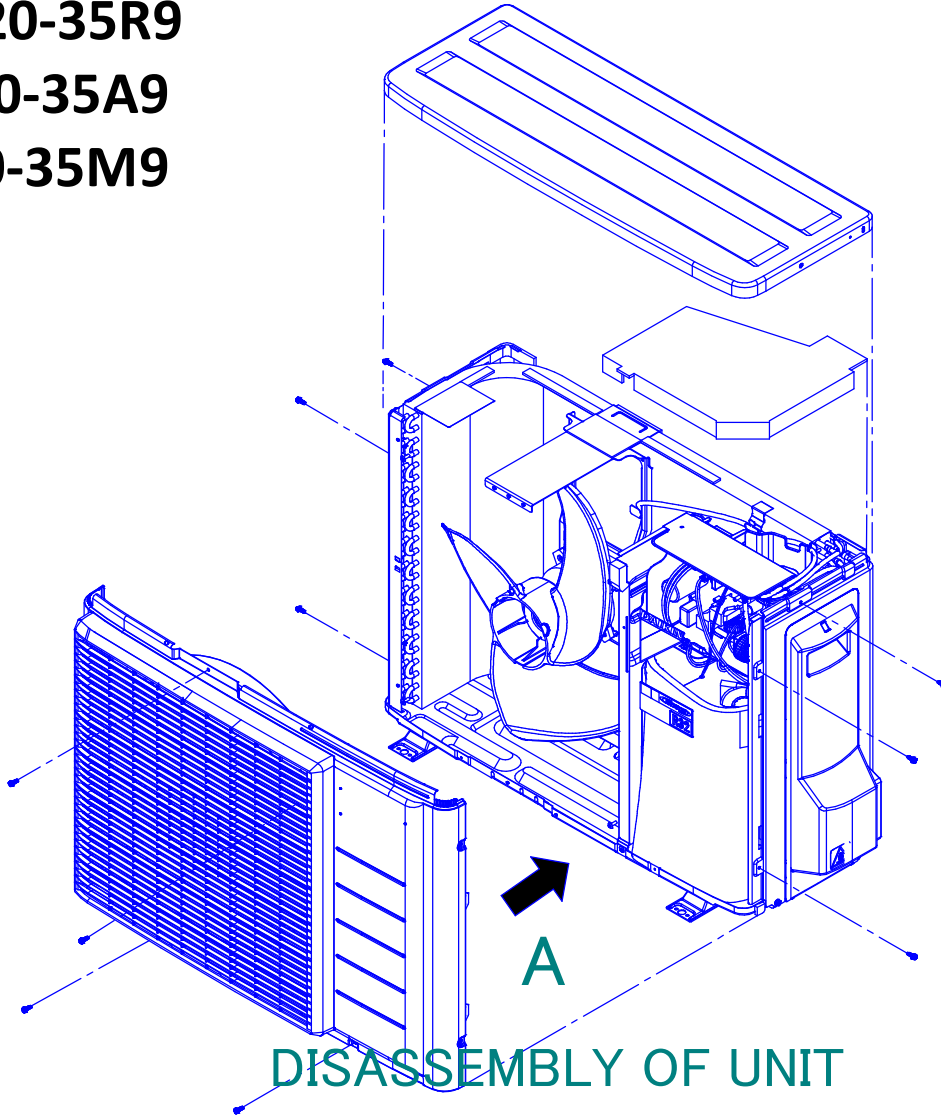


ARXM25-35R9

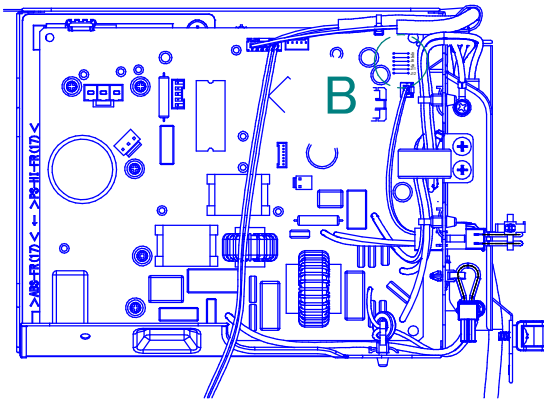
RXM20-35R9

RXA20-35A9

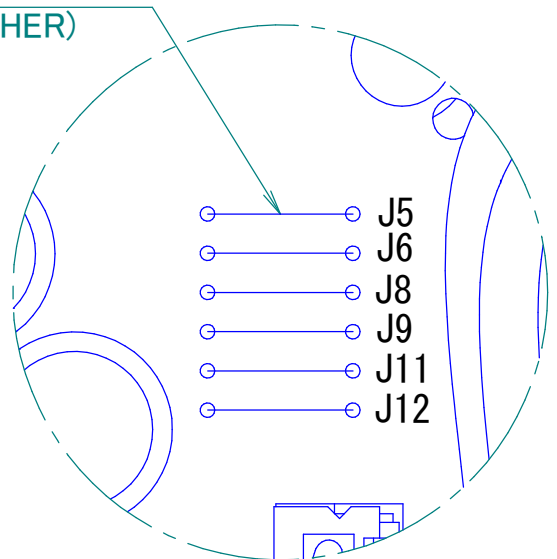
RXJ20-35M9



**CUT JUMPER J5 WITH PLIERS
(CUT PARTS SHALL NOT TOUCH EACH OTHER)
(DO NOT DAMAGE OTHER JUMPERS)**



**ARROW VIEW A
EL. COMPO. ASSY**



DETAIL B