

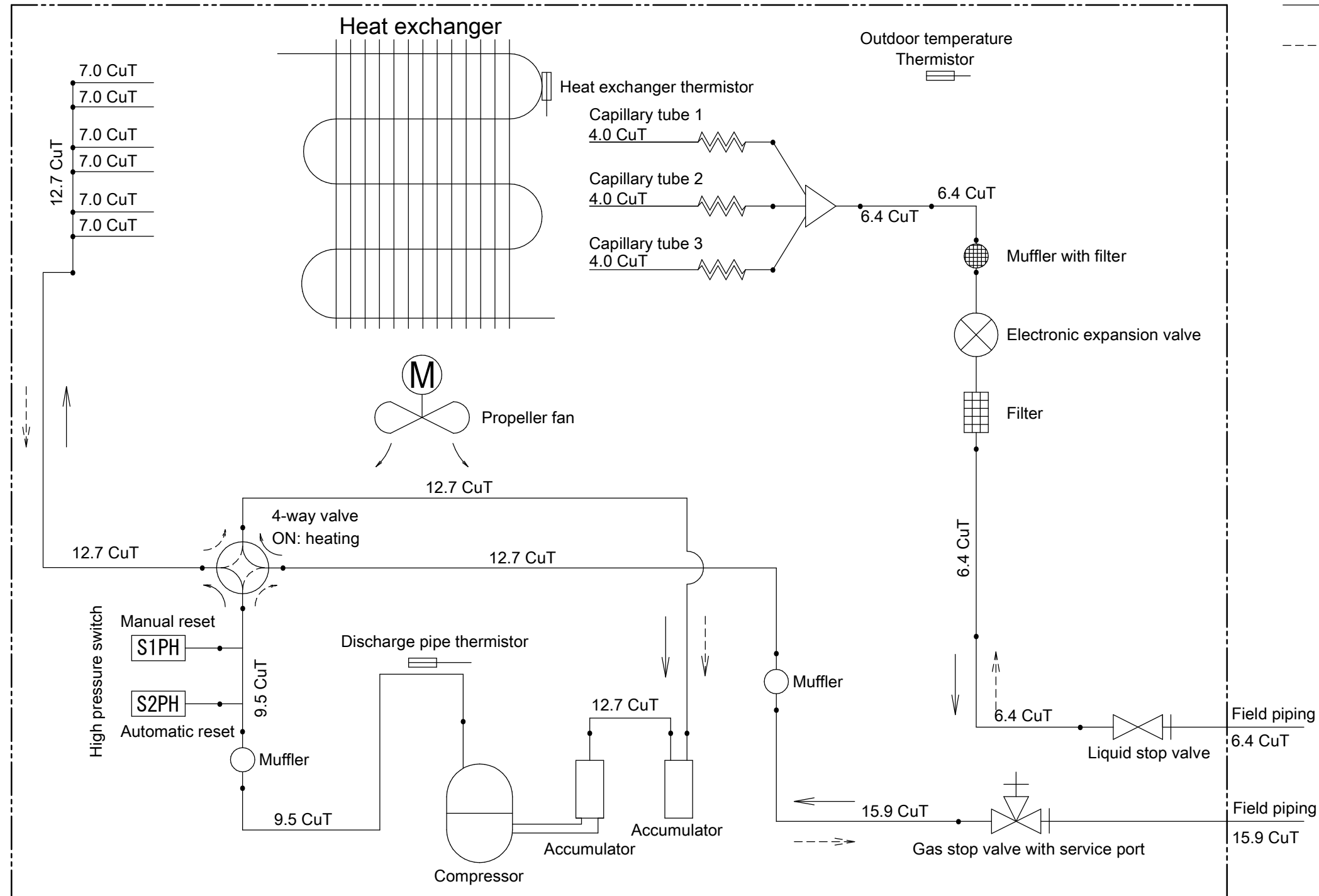
RXM71M

Outdoor unit

Refrigerant flow

—> Cooling

- - -> Heating



3D100850B