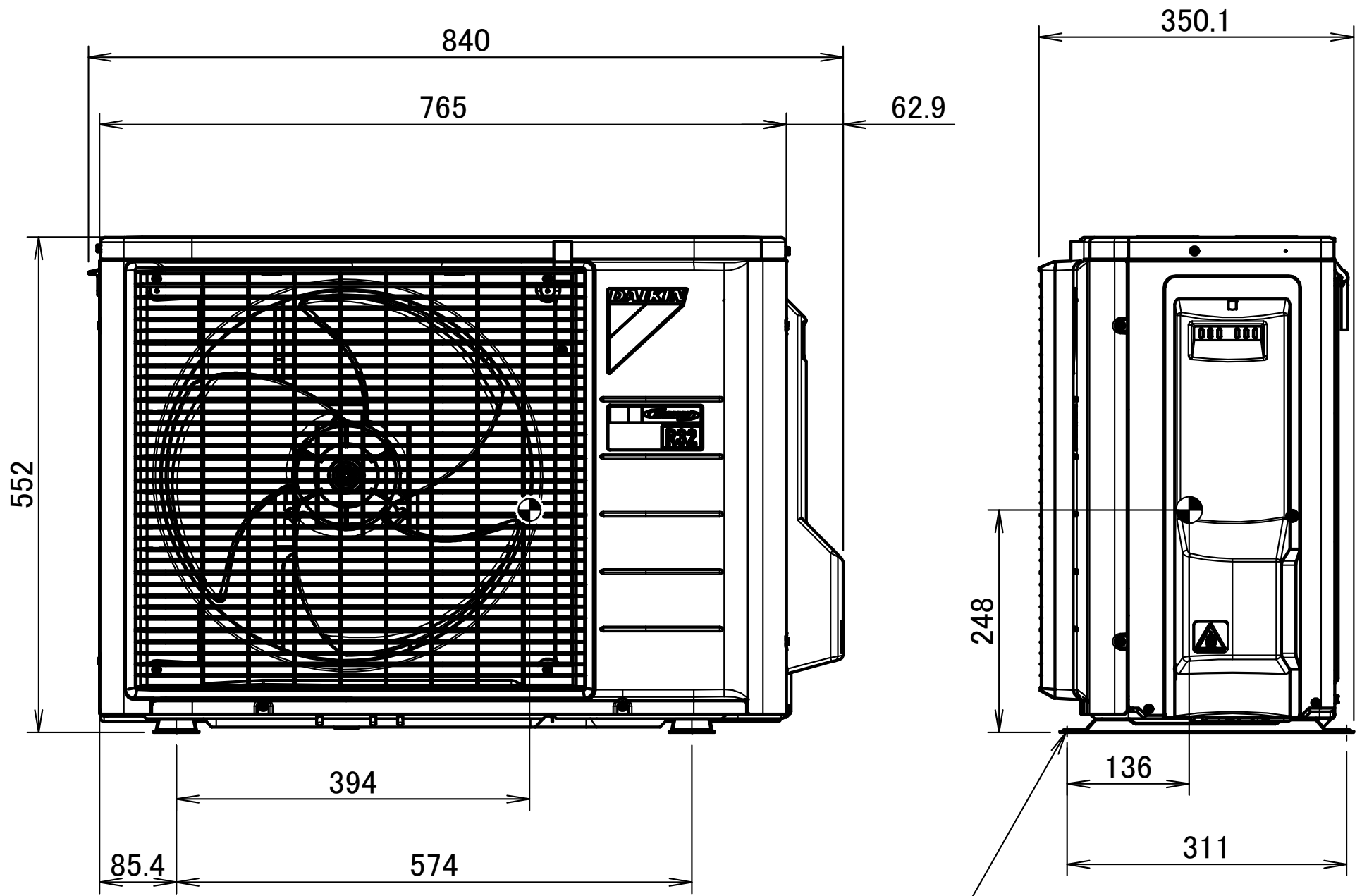


RXM20-35R



Foundation bolt hole