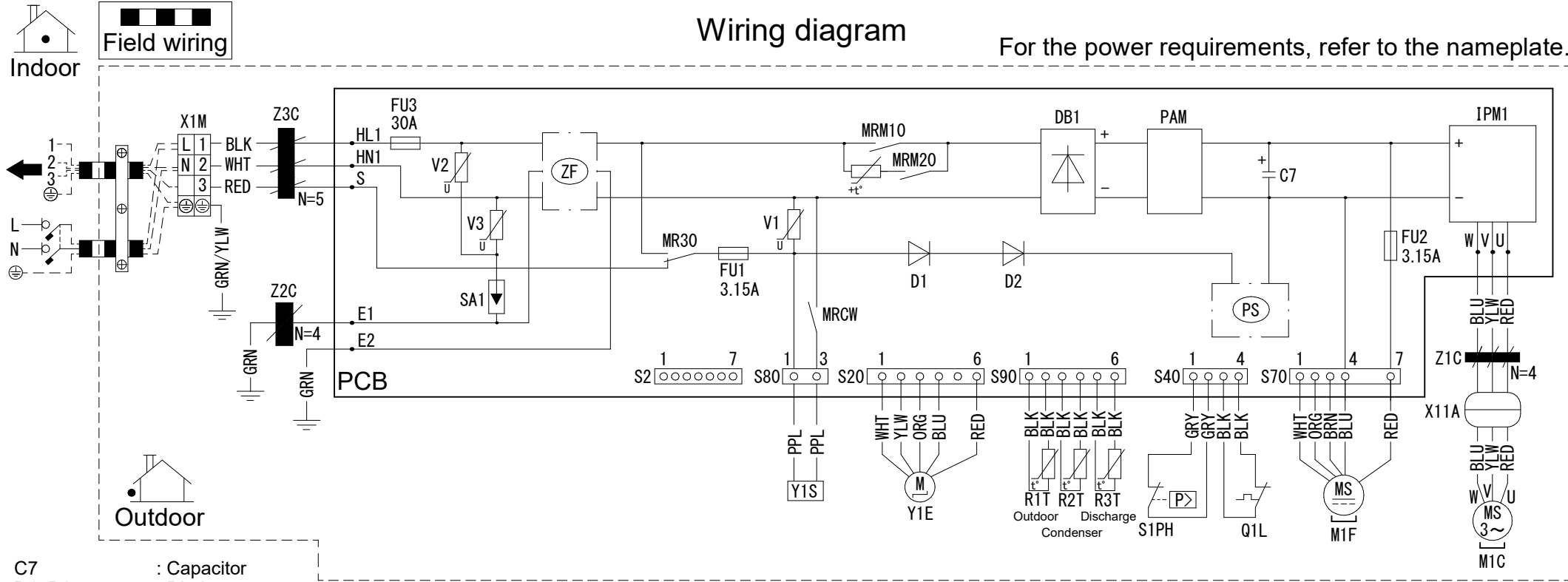


# Wiring diagram

For the power requirements, refer to the nameplate.



- |                 |                              |               |                        |     |          |
|-----------------|------------------------------|---------------|------------------------|-----|----------|
| C7              | : Capacitor                  | Q1L           | : Overload protector   | BLK | : Black  |
| D1, D2          | : Diode                      | R1T, R2T, R3T | : Thermistor           | BLU | : Blue   |
| DB1             | : Diode bridge               | S1PH          | : High pressure switch | BRN | : Brown  |
| E1, E2, HL1,    | : Connection                 | S2, S20, S40, |                        | GRN | : Green  |
| HN1, S, U, V, W | : Connection                 | S70, S80, S90 |                        | GRY | : Grey   |
| FU1, FU2, FU3   | : Fuse                       | SA1           |                        | ORG | : Orange |
| IPM1            | : Intelligent power module   | V1, V2, V3    |                        | RED | : Red    |
| L               | : Live                       | X11A          |                        | WHT | : White  |
| M1C             | : Compressor motor           | Y1E           |                        | YLV | : Yellow |
| M1F             | : Fan motor                  | Z1C, Z2C, Z3C |                        | PPL | : Purple |
| MR30, MRCW,     |                              | ZF            |                        |     |          |
| MRM10, MRM20:   | Magnetic relay               | ⊕             |                        |     |          |
| N               | : Neutral                    | ⊖             |                        |     |          |
| N=4, N=5        | : Number of passes           | ⊕             |                        |     |          |
| PAM             | : Pulse-amplitude modulation |               |                        |     |          |
| PCB             | : Printed circuit board      |               |                        |     |          |
| PS              | : Switching power supply     |               |                        |     |          |