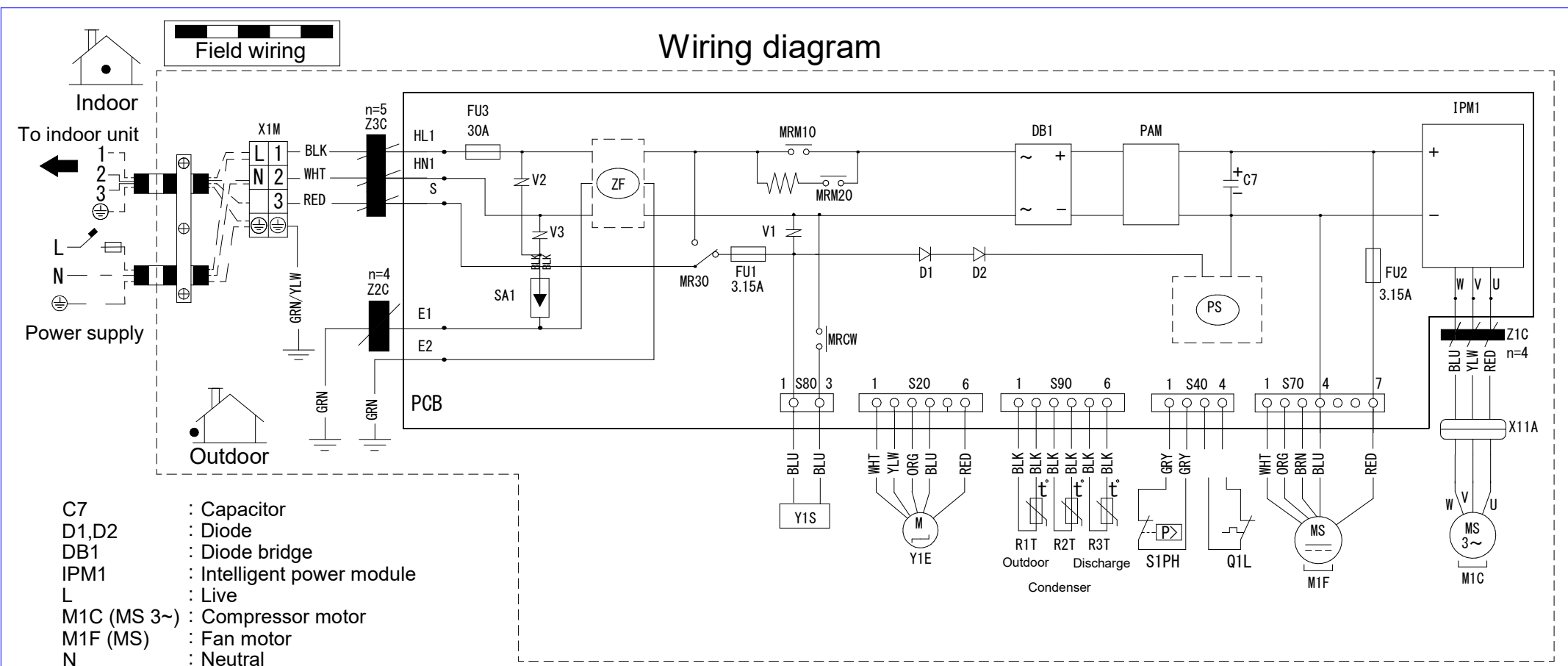


# Wiring diagram



- C7 : Capacitor
- D1,D2 : Diode
- DB1 : Diode bridge
- IPM1 : Intelligent power module
- L : Live
- M1C (MS 3~) : Compressor motor
- M1F (MS) : Fan motor
- N : Neutral
- PAM : Pulse-amplitude modulation
- PCB : Printed circuit board
- PS : Switching power supply
- Q1L : Overload protector
- S1PH : High pressure switch
- SA1 : Surge arrester
- X1M : Terminal strip
- Y1E (M) : Electronic expansion valve coil
- Y1S : Reversing solenoid valve coil
- ZF : Noise filter

- FU1, FU2, FU3 : Fuse
- MR30, MRM10, MRM20, MRCW : Magnetic relay
- R1T, R2T, R3T : Thermistor
- S20, S40, S70, S80, S90, X11A, X14A : Connector
- V1, V2, V3 : Varistor
- Z1C, Z2C, Z3C : Ferrite core
- HL1, HN1, S, E1, E2, W, V, U : Connection

- GRY : Grey
- BLK : Black
- WHT : White
- BRN : Brown
- RED : Red
- GRN : Green
- YLW : Yellow
- ORG : Orange
- BLU : Blue
- n=4, n=5 : Number of passes through ferrite core
- ⊕ : Protective earth
- ⊖ : Earth