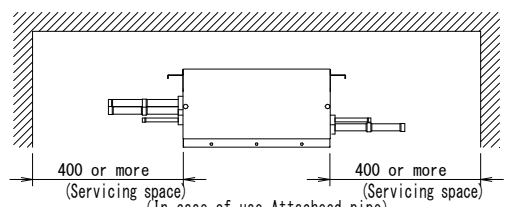
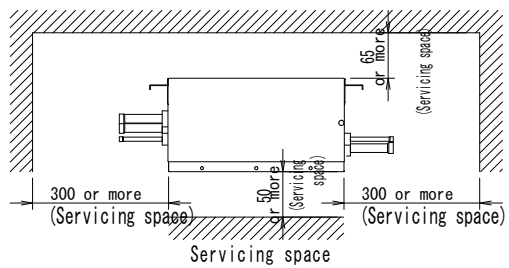
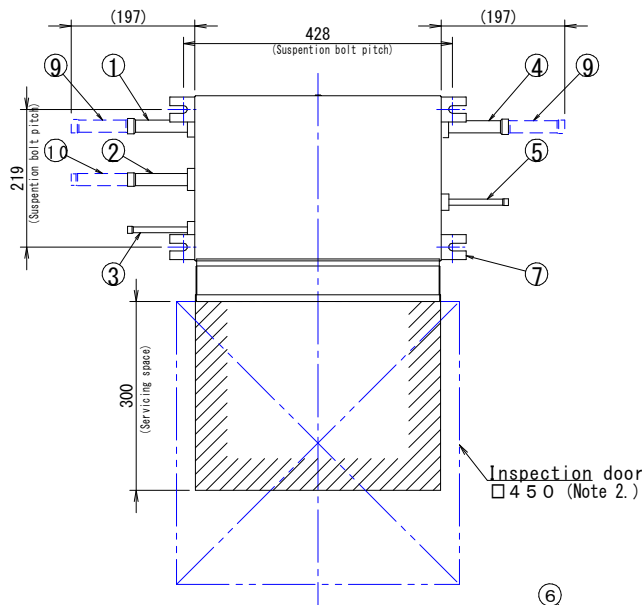
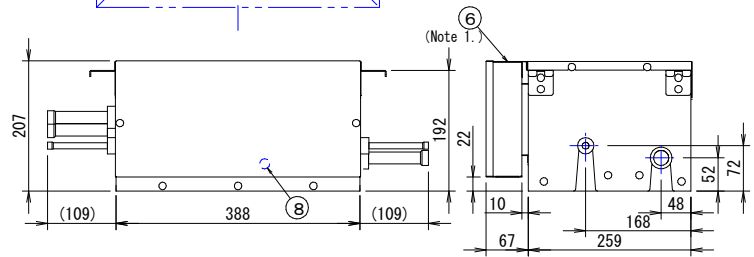
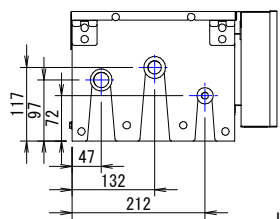


BS1Q25A



- (In case of use Attached pipe)
- Notes
1. Electric box can also be fixed on the other side of the unit.
 2. Be sure to install an inspection door at electric box side.
 3. Attached pipe(1) and Attached pipe(2) is used in case of connecting with indoor capacity index more than 160 and less than 200. In case of connecting one indoor unit of 200 type, only gas pipe connection port need Attached pipe(1).
 4. Small sound will be made when changing over the motor operated valve, which may be disturbing. Do not install it at the place such as bedroom under roof.



Location of unit's Name Plate . . . Right side of electric box

10	Attached pipe(2) (Note.3)	φ15.9mm brazing connection
9	Attached pipe(1) (Note.3)	φ19.1mm brazing connection
8	Grounding terminal	M 4
7	Suspension brackets	M 8 ~ M 1 0
6	Electric box (Note 1.)	
5	Liquid pipe connection port	φ 9.5mm brazing connection
4	gas pipe connection port	φ22.2mm brazing connection
3	Liquid pipe connection port	φ 9.5mm brazing connection
2	HP/LP gas pipe connection port	φ19.1mm brazing connection
1	Suction gas pipe connection port	φ22.2mm brazing connection
Number	Part name	Description