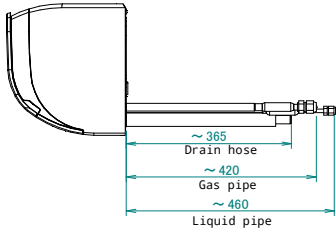
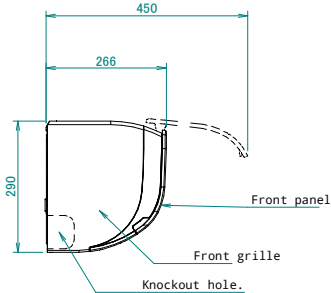


FXAA15-32A

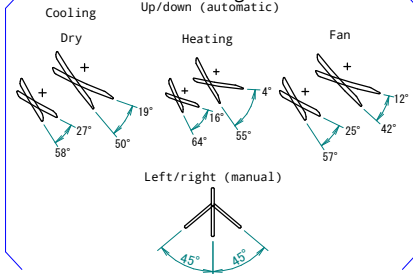


Dimensions of fully opened front panel



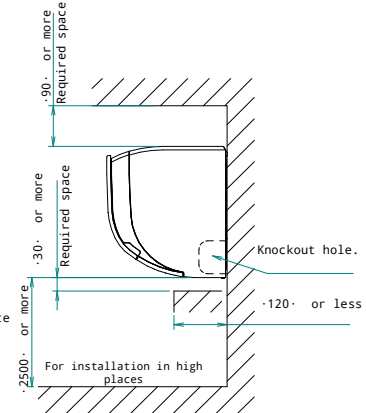
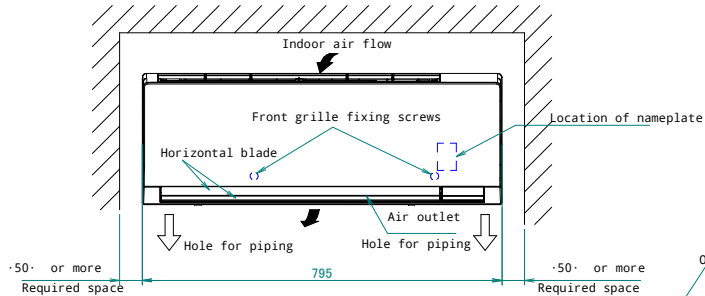
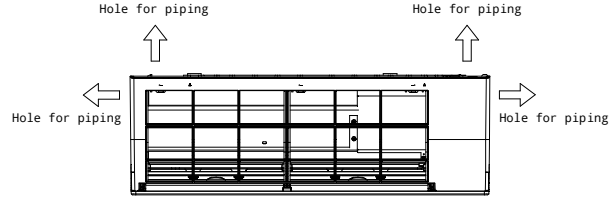
Blade angle

Up/down (automatic)



Notes

- 1) The $\cdot \rightarrow$ mark shows the piping direction.
- 2) Do not place any objects under the indoor unit. In case of high humidity (>80%), clogged drain outlets, or dirty air filters, condensate may drop out.



Outer dimensions of the unit

